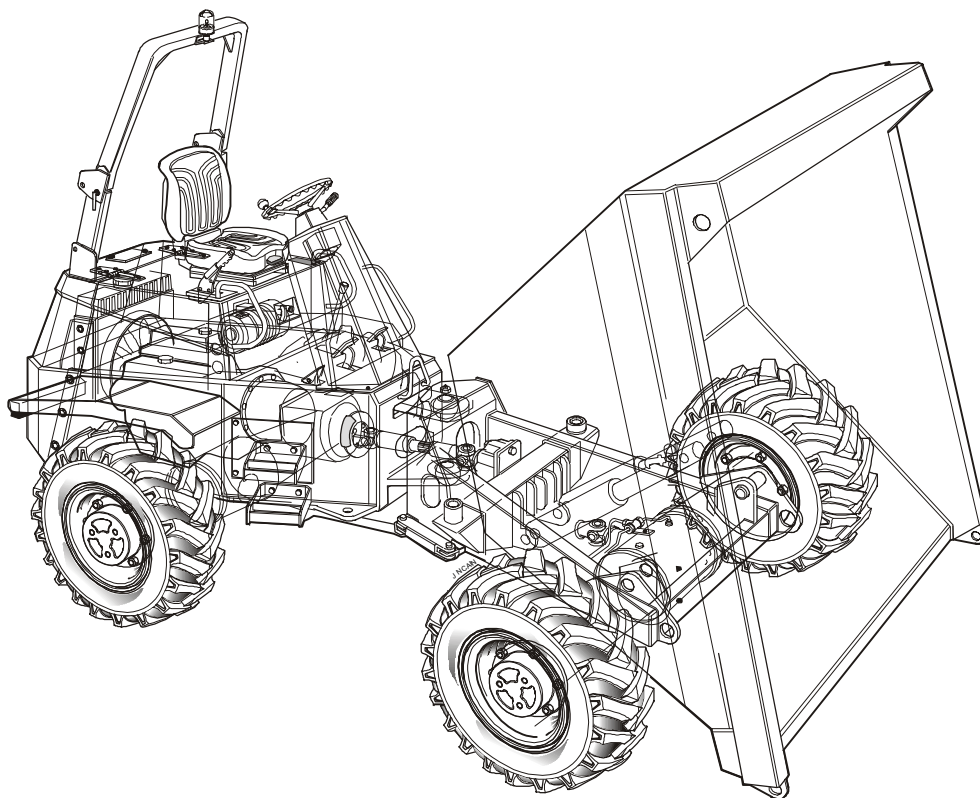
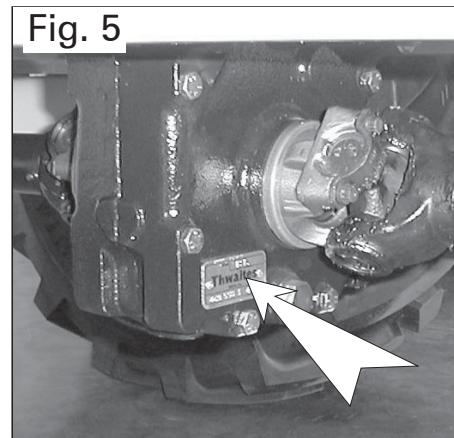
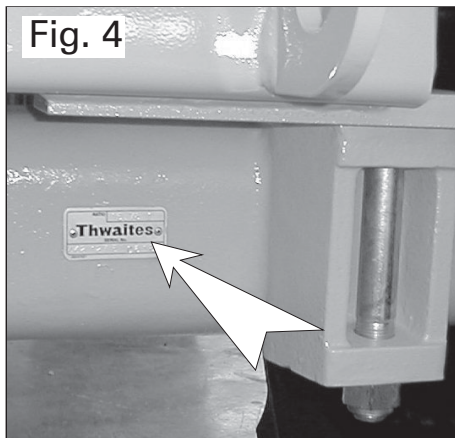
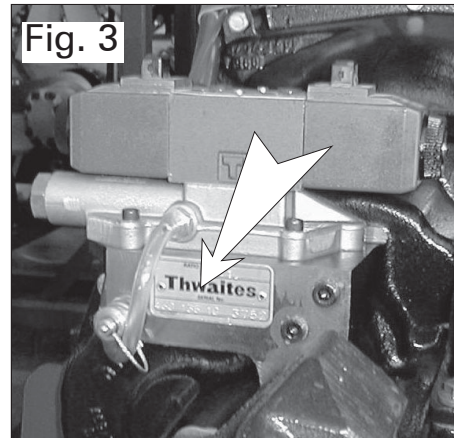
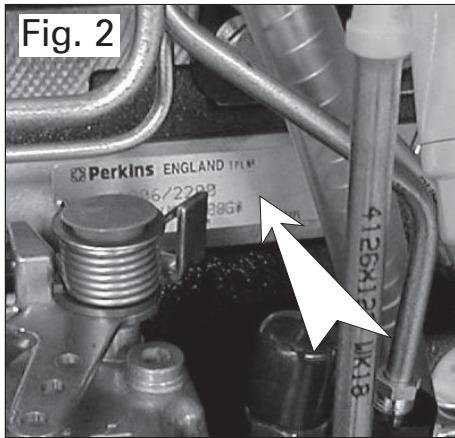


Thwaites**250 - 5 TONNE FORWARD TIP****allparts****Thwaites**
allparts

Thwaites Ltd
Leamington Spa
Warwickshire
CV32 7NQ
Tel +44 (0)1926 422471
Fax +44 (0)1926 450458
www.thwaitesdumpers.co.uk

FROM VIN No. A0064**DATED** 25th APRIL 2001**VIN No.** A _ _ _ _ _**ENGINE BUILD No.** AR50820 - NAT/ASP**PAYLOAD** 5 TONNE**SKIP** FORWARD TIP**TRANSMISSION** POWERSHUTTLE**TYPE** MACH 250**PREFIX No.** 02

MACHINE IDENTIFICATION



Serial Numbers

Please quote machine serial numbers when in communication with your Thwaites distributor.

Model Type (Fig 1.)

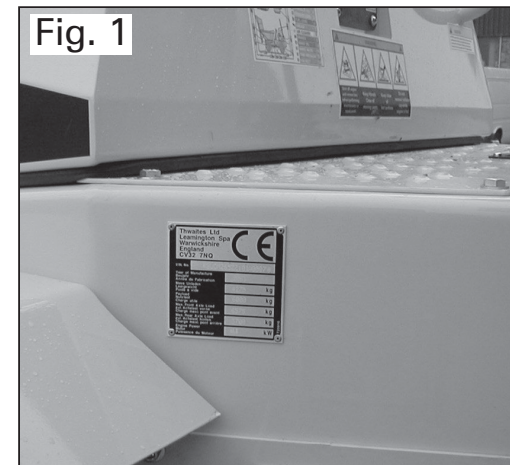
Vin N° (Fig 1.)

Engine Serial N° (Fig 2.)

Gearbox Serial N° (Fig 3.)

Front & Rear Axle Serial N° (Fig 4.)

Transfer Box/Drive Motor Serial N° (Fig 5.)



VEHICLE IDENTIFICATION NUMBER - (VIN)

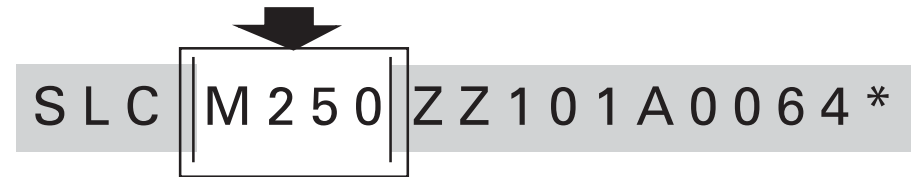
Thwaites have now adopted the international identification system known as VEHICLE IDENTIFICATION NUMBER normally referred to as VIN.



The VIN number incorporates a number of security features and also the machine model and individual serial number.

Important note: *Do not use this parts manual to order replacement spares if the prefix level of your machine is higher than the number quoted at the front of this parts manual.*

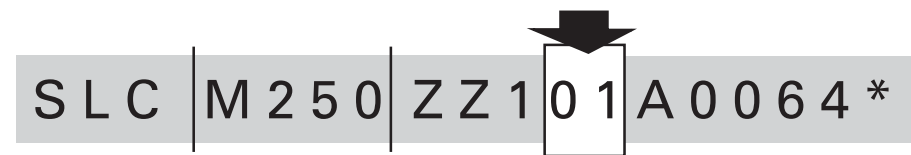
When ordering replacement spares it is important that the model or MACH number is used to identify the correct parts manual.



The year of manufacture:



The Machine Parts Manual issue level denoted by the two digit Prefix Number:

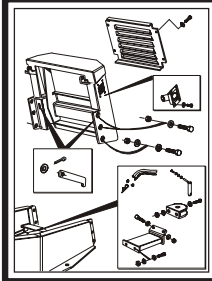


The unique machine serial number:



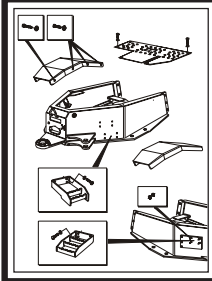
Please ensure that these numbers are quoted in all correspondence with your Thwaites distributor.

REAR COVER ASSEMBLY



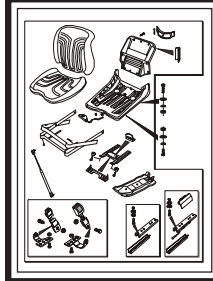
PAGE 1

REAR CHASSIS ASSEMBLY



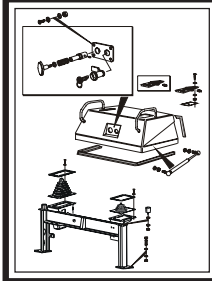
PAGE 2

SEAT ASSEMBLY



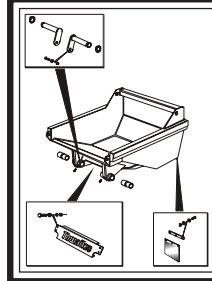
PAGE 3

ENGINE COVER ASSEMBLY



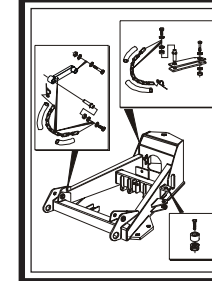
PAGE 4

SKIP ASSEMBLY



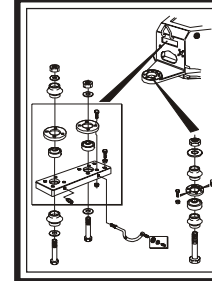
PAGE 5

FRONT CHASSIS ASSEMBLY



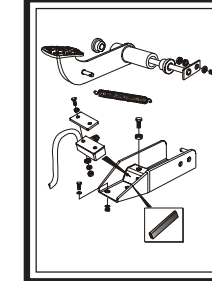
PAGE 6

KINGLINK ASSEMBLY



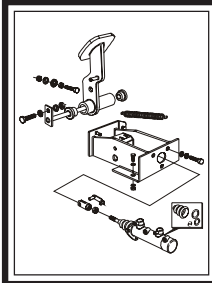
PAGE 7

DUMP PEDAL ASSEMBLY



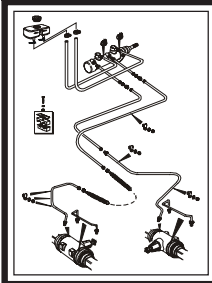
PAGE 8

BRAKE PEDAL ASSEMBLY



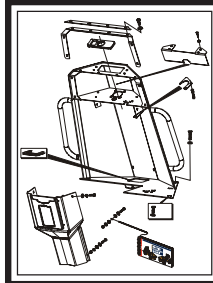
PAGE 9

BRAKE CIRCUIT FORWARD TIP



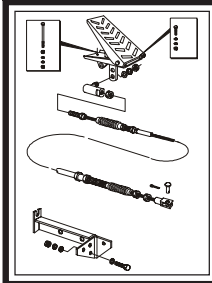
PAGE 10

LEG GUARD ASSEMBLY



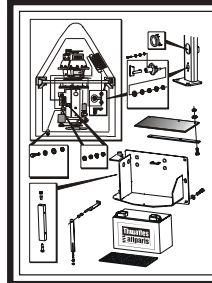
PAGE 11

THROTTLE ASSEMBLY



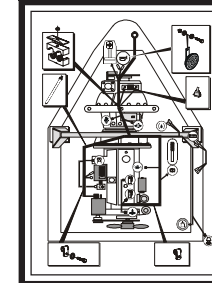
PAGE 12

BATTERY BOX ASSEMBLY



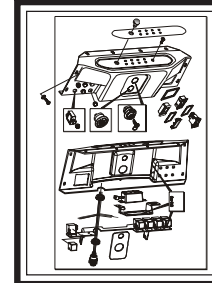
PAGE 13

ENGINE HARNESS



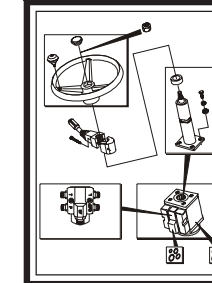
PAGE 14

DASH PANEL ASSEMBLY



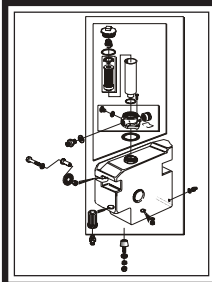
PAGE 15

STEERING ASSEMBLY



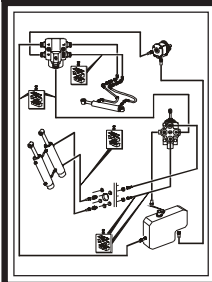
PAGE 16

HYD. TANK ASSEMBLY



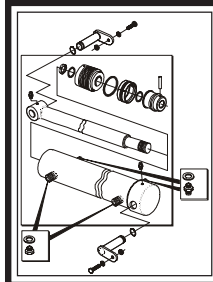
PAGE 17

HYDRAULIC CIRCUIT



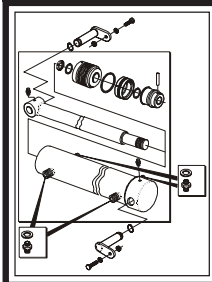
PAGE 18

TIPPING RAM ASSY. L/H



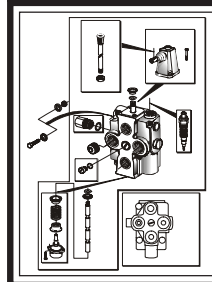
PAGE 19

TIPPING RAM ASSY. R/H



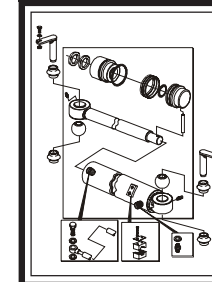
PAGE 20

TIPPING VALVE ASSEMBLY



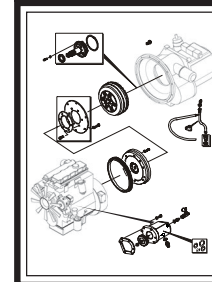
PAGE 21

STEERING RAM ASSEMBLY



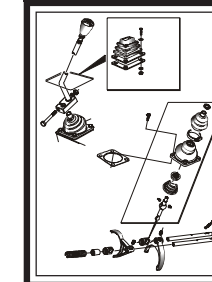
PAGE 22

TRANS. DRIVE & HYD. PUMP



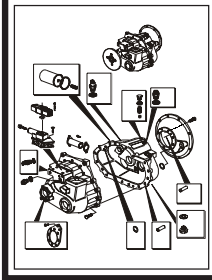
PAGE 23

TRANSMISSION GEAR CHANGE



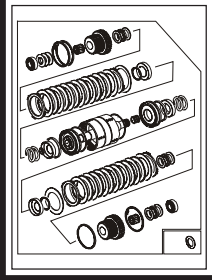
PAGE 24

**TRANSMISSION
EXTERNAL**



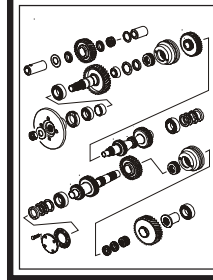
PAGE 25

**TRANSMISSION
REVERSE UNIT**



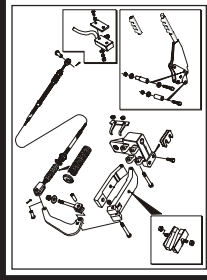
PAGE 26

**TRANSMISSION
INTERNAL**



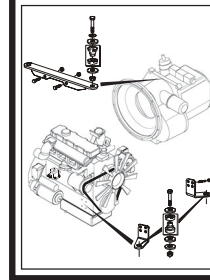
PAGE 27 & 28

**HANDBRAKE
ASSEMBLY**



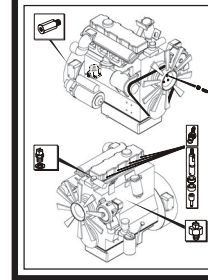
PAGE 29 & 30

**ENGINE & G/BOX
MOUNTINGS.**



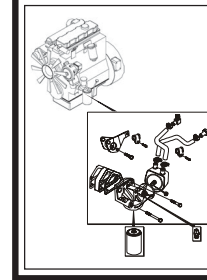
PAGE 31

**ENGINE
ACCESSORIES**



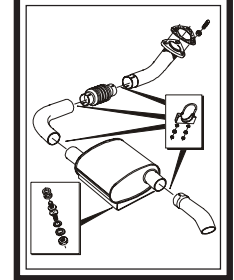
PAGE 32

**ENGINE
OIL COOLER**



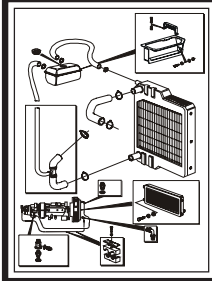
PAGE 33

**EXHAUST
SYSTEM - N/A**



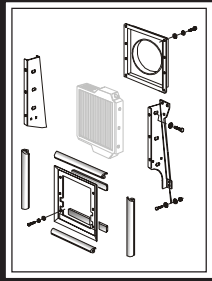
PAGE 34

**RADIATOR &
OIL COOLER**



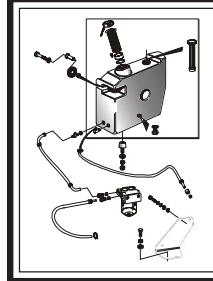
PAGE 35

**RAD. SEALS &
FIXINGS**



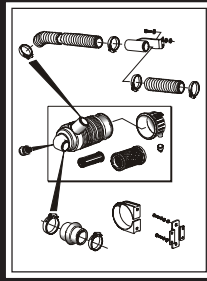
PAGE 36

**FUEL TANK
ASSEMBLY**



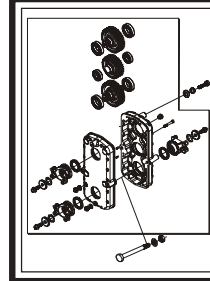
PAGE 37 & 38

**AIR CLEANER
ASSEMBLY - N/A**



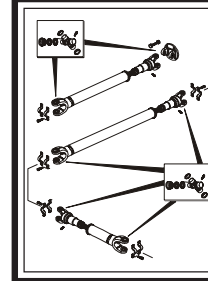
PAGE 39

**TRANSFER BOX
ASSEMBLY**



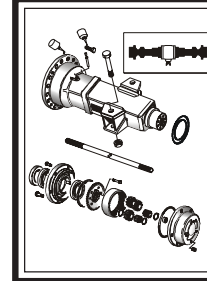
PAGE 40

PROPSHAFTS



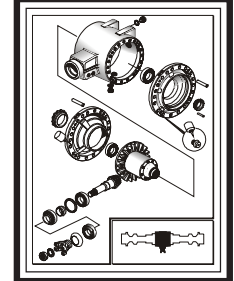
PAGE 41

**AXLE - DRIVE
ASSEMBLY**



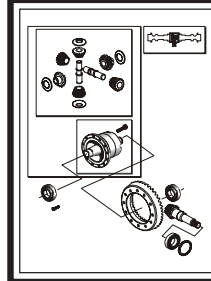
PAGE 42

**AXLE - DIFF
ASSEMBLY**



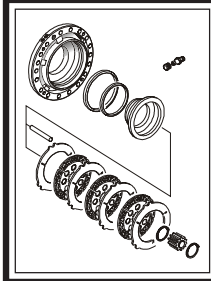
PAGE 43

**AXLE - CROWN
WHEEL & PINION**



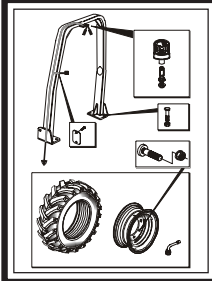
PAGE 44

AXLE - BRAKES



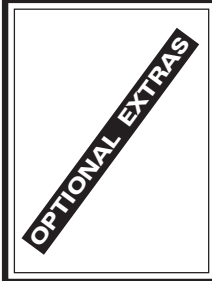
PAGE 45

**ROPS FRAME &
WHEEL ASSY.**



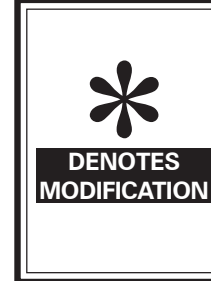
PAGE 46

**OPTIONAL
EXTRAS**



PAGE 47

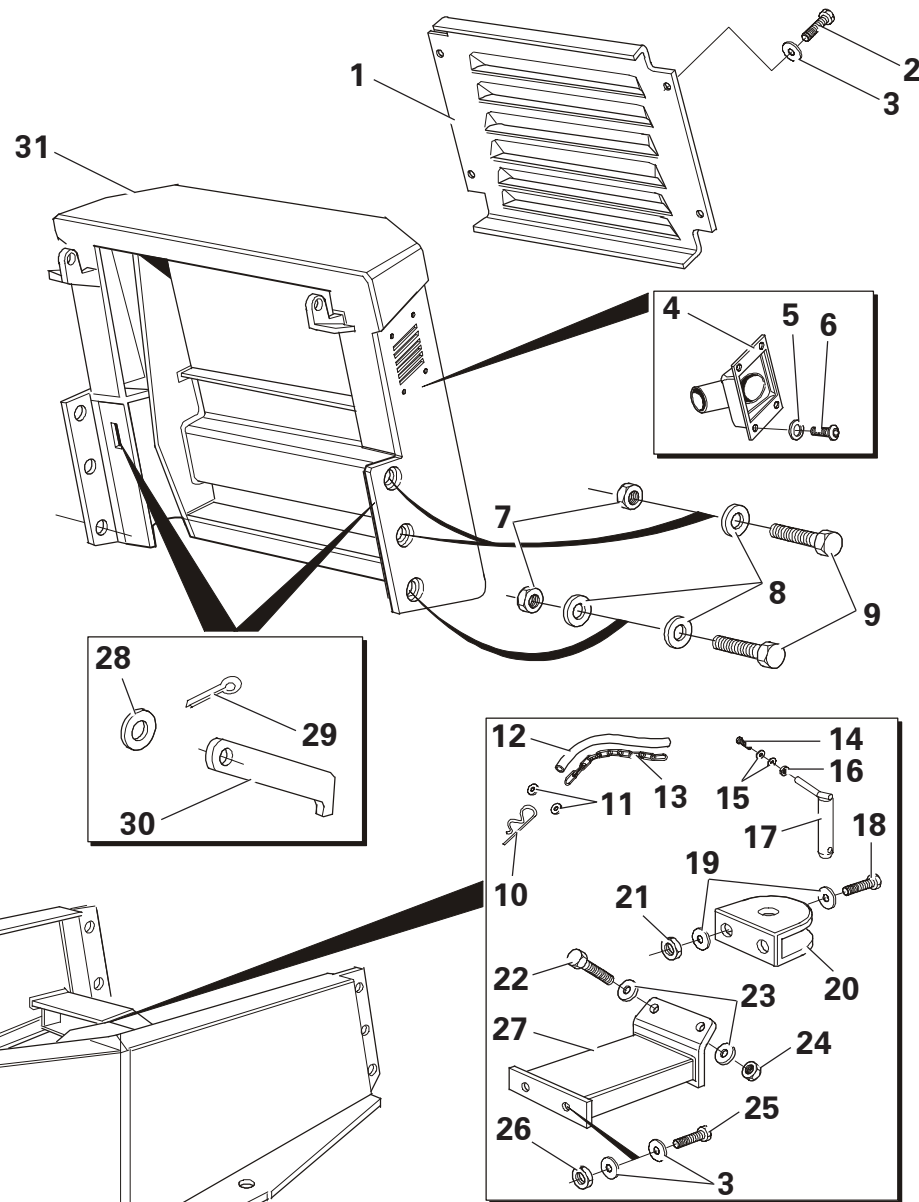
**MODIFICATIONS
& ADDITIONS**



PAGE 48,49 & 50

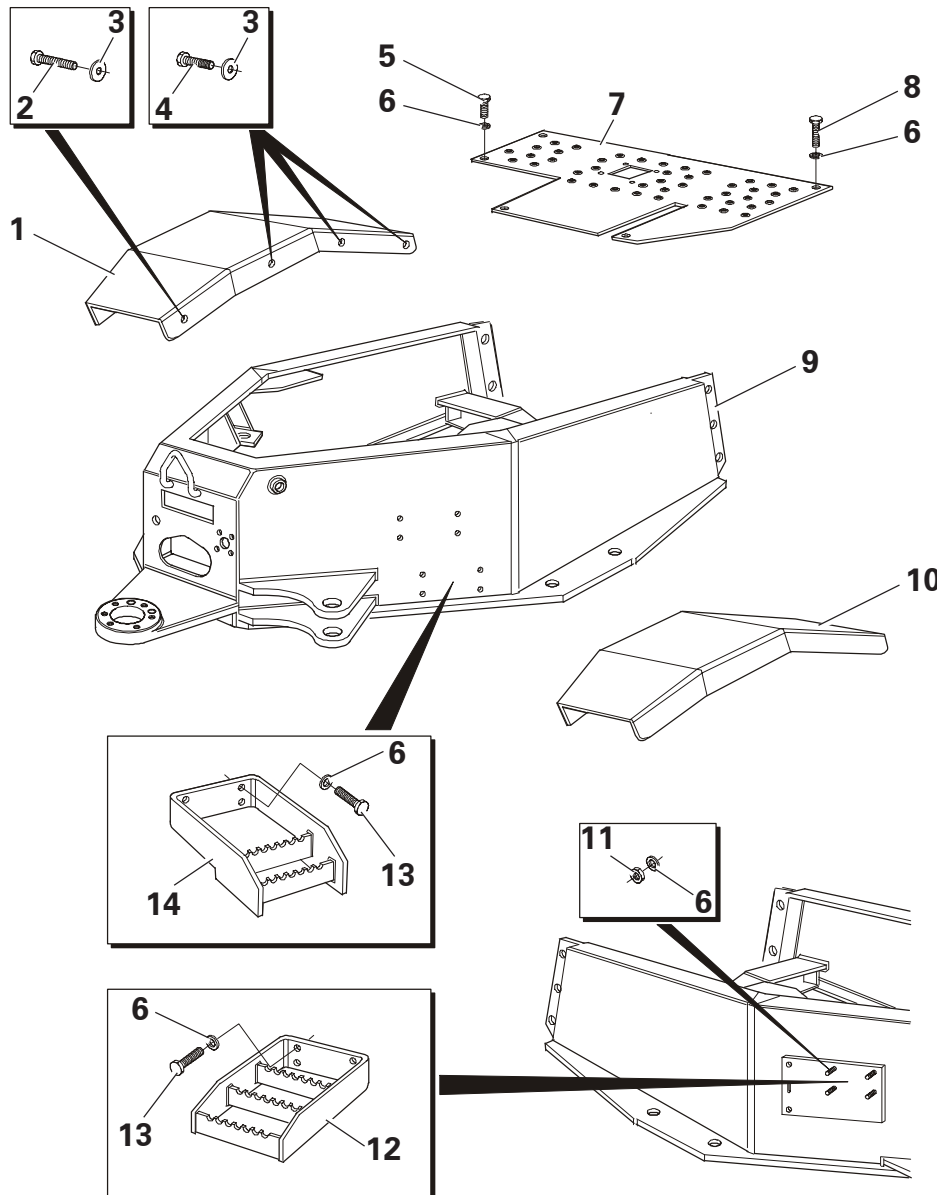
REAR COVER ASSEMBLY

| Item | Part No. | Description | Qty | U/M |
|------|----------|-------------------|-----|-----|
| 1 | T100450 | REAR PANEL | 1.0 | EA |
| 2 | T17846 | BOLT | 4.0 | EA |
| 3 | T14748 | PLAIN WASHER | 8.0 | EA |
| 4 | T100443 | AIR INLET BOX | 1.0 | EA |
| 5 | T6701 | FLAT WASHER | 4.0 | EA |
| 6 | T12971 | BUTTON HEAD SCREW | 4.0 | EA |
| 7 | T20325 | NUT | 6.0 | EA |
| 8 | T11811 | WASHER | 8.0 | EA |
| 9 | T100310 | BOLT | 6.0 | EA |
| 10 | T6075 | LYNCH PIN | 1.0 | EA |
| 11 | T6668 | WASHER | 2.0 | EA |
| 12 | T17508 | CHAIN SLEEVE | 1.0 | EA |
| 13 | T17507 | LOCKING PIN CHAIN | 1.0 | EA |
| 14 | T16477 | BOLT | 1.0 | EA |
| 15 | T13911 | FLAT WASHER | 2.0 | EA |
| 16 | T10431 | NUT | 1.0 | EA |
| 17 | T100156 | TOWING PIN | 1.0 | EA |
| 18 | T11315 | BOLT | 2.0 | EA |
| 19 | T17600 | PLAIN WASHER | 4.0 | EA |
| 20 | T100155 | TOWING JAW | 1.0 | EA |
| 21 | T14910 | STOVER NUT | 2.0 | EA |
| 22 | T16505 | SET BOLT | 2.0 | EA |
| 23 | T17184 | HEAVY DUTY WASHER | 4.0 | EA |
| 24 | T13064 | NUT | 2.0 | EA |
| 25 | T14078 | BOLT | 2.0 | EA |
| 26 | T16422 | NYLOC NUT | 2.0 | EA |
| 27 | T100151 | TOWING BRACKET | 1.0 | EA |
| 28 | T6768 | WASHER | 2.0 | EA |
| 29 | T6751 | SPLIT PIN | 2.0 | EA |
| 30 | T100466 | STRAP RETAINER | 2.0 | EA |
| 31 | T100112 | REAR COVER | 1.0 | EA |



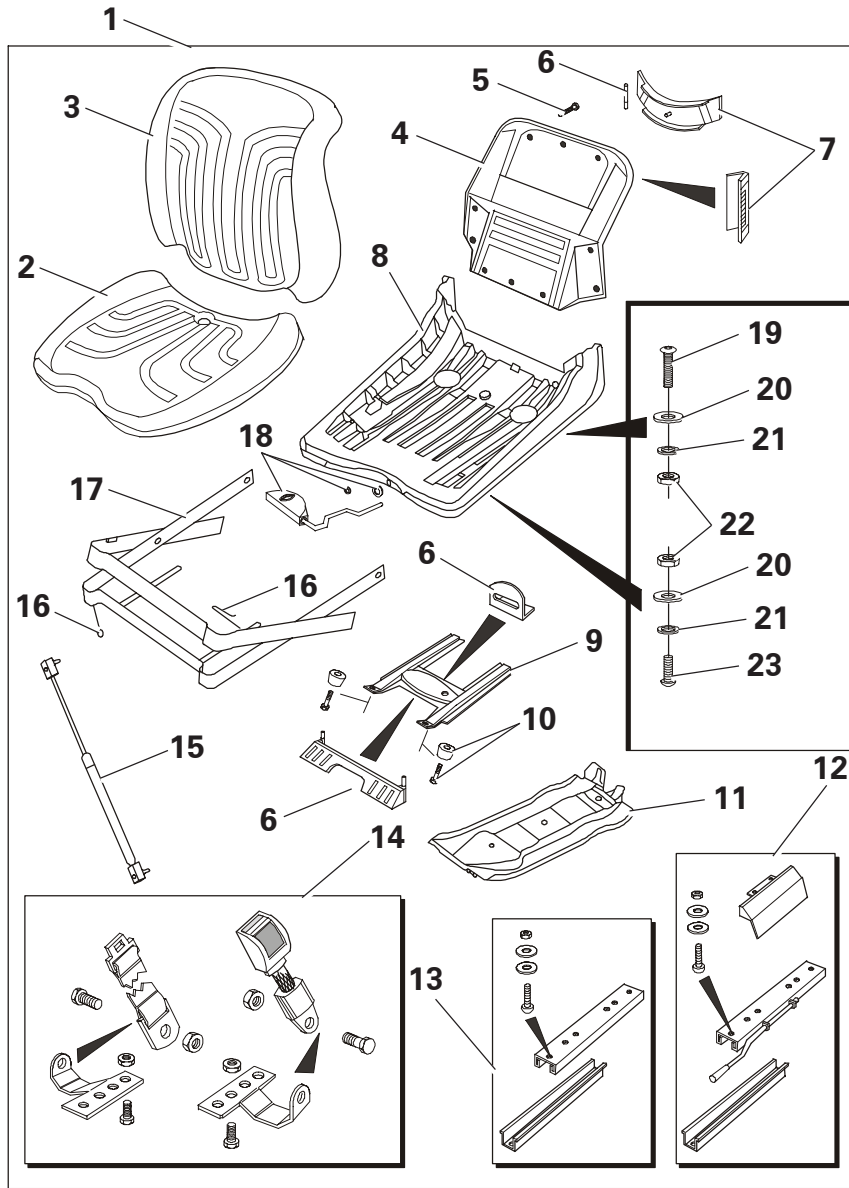
Rear Cover Assembly

REAR CHASSIS ASSEMBLY



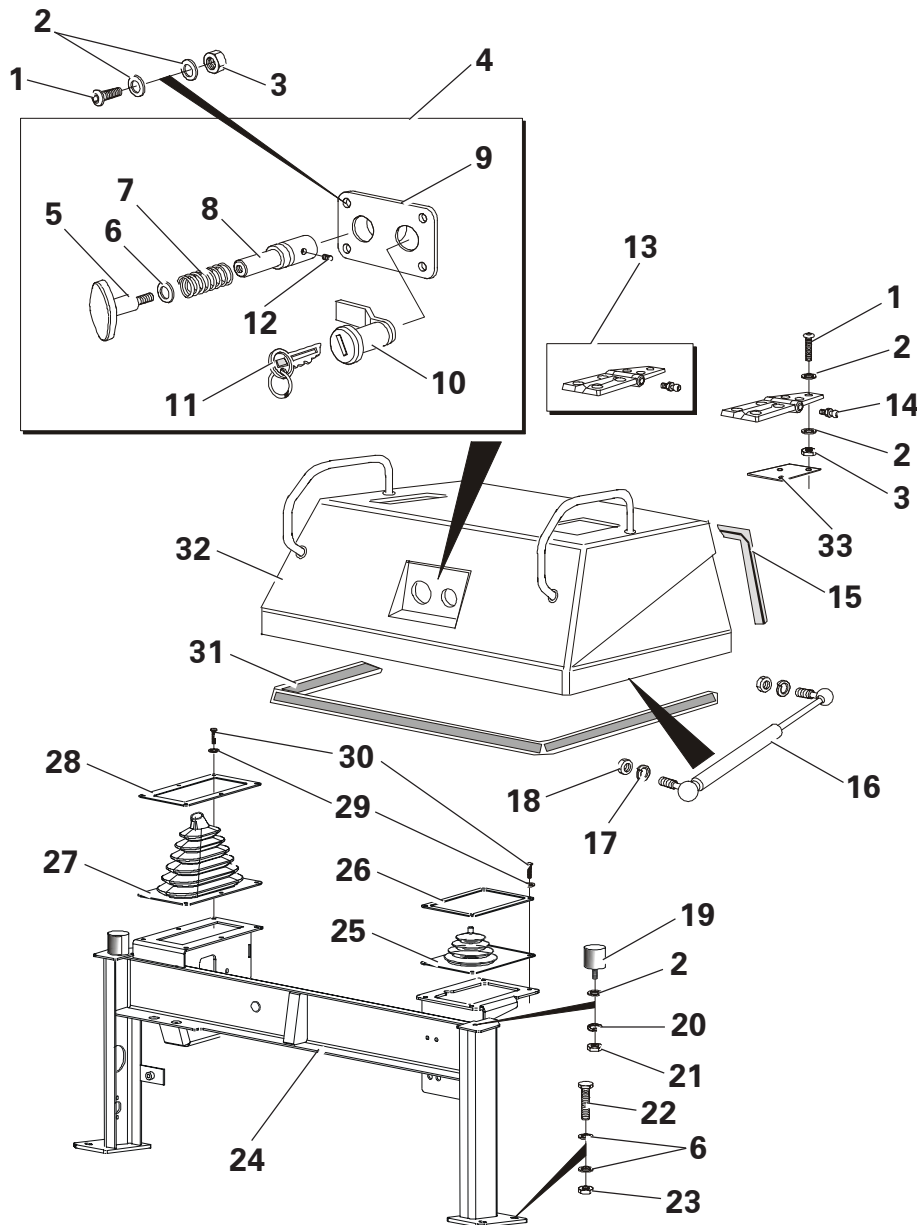
| Item | Part No. | Description | Qty | U/M |
|------|----------|--------------------|------|-----|
| 1 | T100145 | REAR MUDGUARD R/H | 1.0 | EA |
| 2 | T14078 | BOLT | 2.0 | EA |
| 3 | T14748 | PLAIN WASHER | 8.0 | EA |
| 4 | T20618 | SET SCREW | 5.0 | EA |
| 5 | T16670 | SET BOLT | 3.0 | EA |
| 6 | T17184 | HEAVY DUTY WASHER | 21.0 | EA |
| 7 | T100467 | FLOORPLATE SHUTTLE | 1.0 | EA |
| 8 | T16500 | BOLT | 2.0 | EA |
| 9 | T100111 | REAR CHASSIS | 1.0 | EA |
| 10 | T100144 | REAR MUDGUARD L/H | 1.0 | EA |
| 11 | T13064 | NUT | 4.0 | EA |
| 12 | T100147 | STEP (UPPER) | 2.0 | EA |
| 13 | T52599 | FIXING BOLT | 12.0 | EA |
| 14 | T100148 | STEP (LOWER) | 2.0 | EA |

SEAT ASSEMBLY



| Item | Part No. | Description | Qty | U/M |
|------|----------|-----------------------|-----|-----|
| 1 | T100024 | SEAT-MSG20 C/W BELTS | 1.0 | EA |
| 2 | T52524 | SEAT CUSHION VINYL | 1.0 | EA |
| 3 | T51918 | UPHOLSTERED BACK REST | 1.0 | EA |
| 4 | T51919 | PLATE | 1.0 | EA |
| 5 | T51920 | SCREW SET | 1.0 | EA |
| 6 | T51928 | FRAME KIT | 1.0 | EA |
| 7 | T51936 | BLANKING COVERS | 1.0 | EA |
| 8 | T52525 | SEAT PAN | 1.0 | EA |
| 9 | T52530 | OUTER SWING ARM | 1.0 | EA |
| 10 | T51927 | SCREW & WASHER SET | 1.0 | EA |
| 11 | T52529 | INNER SWING ARM | 1.0 | EA |
| 12 | T51929 | SLIDE RAIL KIT | 1.0 | EA |
| 13 | T51930 | SLIDE RAIL | 1.0 | EA |
| 14 | T52536 | SEAT BELT | 1.0 | EA |
| 15 | T52531 | SHOCK ABSORBER | 1.0 | EA |
| 16 | T52526 | REPAIR KIT | 1.0 | EA |
| 17 | T52527 | SUSPENSION COVER | 1.0 | EA |
| 18 | T51921 | LEVER | 1.0 | EA |
| 19 | T12971 | BUTTON HEAD SCREW | 2.0 | EA |
| 20 | T9345 | WASHER | 4.0 | EA |
| 21 | T12973 | PLAIN WASHER | 4.0 | EA |
| 22 | T13457 | NYLOC NUT | 4.0 | EA |
| 23 | T12832 | DOMED HEAD SCREW | 2.0 | EA |

Seat Assembly



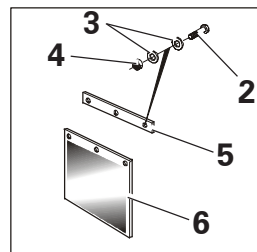
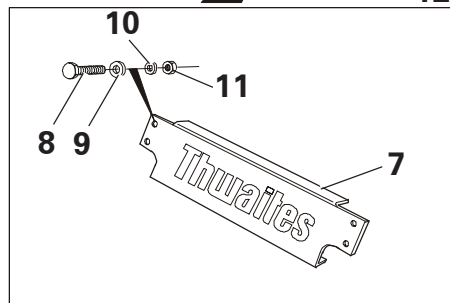
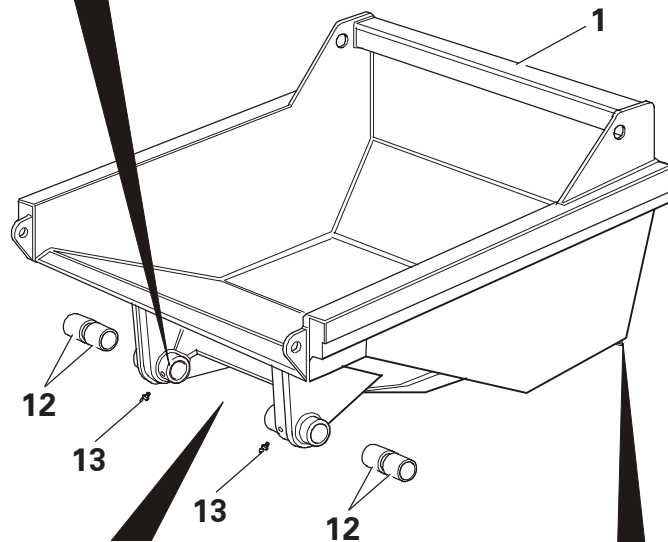
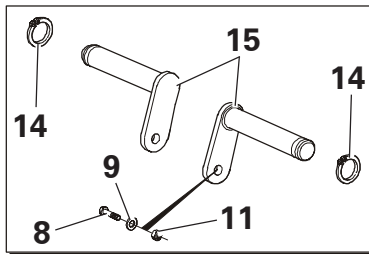
ENGINE COVER ASSEMBLY

| Item | Part No. | Description | Qty | U/M |
|------|----------|--------------------------|------|-----|
| 1 | T12971 | BUTTON HEAD SCREW | 16.0 | EA |
| 2 | T12973 | PLAIN WASHER | 34.0 | EA |
| 3 | T13457 | NYLOC NUT | 16.0 | EA |
| 4 | T100211 | LOCK ASSY | 1.0 | EA |
| 5 | T100216 | RENCOL HANDLE | 1.0 | EA |
| 6 | T10734 | H/DUTY WASHER | 9.0 | EA |
| 7 | T100287 | SPRING | 1.0 | EA |
| 8 | T100266 | LOCK PLUNGER | 1.0 | EA |
| 9 | T100286 | WELDED LOCK ASSY | 1.0 | EA |
| 10 | T100265 | COMPARTMENT LOCK | 1.0 | EA |
| 11 | T50479 | SWITCH KEY | 1.0 | EA |
| 12 | T100477 | GRUB SCREW | 1.0 | EA |
| 13 | T100212 | HINGE WITH GREASE NIPPLE | 2.0 | EA |
| 14 | T16586 | GREASE NIPPLE - STRAIGHT | 2.0 | EA |
| 15 | T100533 | SEAL | 1.0 | EA |
| 16 | T100244 | GAS STRUT | 2.0 | EA |
| 17 | T13362 | SPRING WASHER | 4.0 | EA |
| 18 | T12509 | NUT | 4.0 | EA |
| 19 | T100243 | RUBBER BUFFER | 2.0 | EA |
| 20 | T12972 | SPRING WASHER | 2.0 | EA |
| 21 | T9775 | NUT | 2.0 | EA |
| 22 | T16505 | SET BOLT | 4.0 | EA |
| 23 | T13064 | NUT | 4.0 | EA |
| 24 | T100142 | CONTROL MGT BRACE ASSY | 1.0 | EA |
| 25 | T100289 | TIPPING LEVER GAITER | 1.0 | EA |
| 26 | T100569 | GAITER RETAINING PLATE | 1.0 | EA |
| 27 | T100220 | HANDBRAKE LEVER GAITER | 1.0 | EA |
| 28 | T100570 | GAITER RETAINING PLATE | 1.0 | EA |
| 29 | T13911 | FLAT WASHER | 10.0 | EA |
| 30 | T16492 | DOME HEAD SCREW | 10.0 | EA |
| 31 | T100532 | SEAL | 1.0 | EA |
| 32 | T100085 | ENGINE COVER ASSY | 1.0 | EA |
| 33 | T100737 | BONNET PACKER | 2.0 | EA |

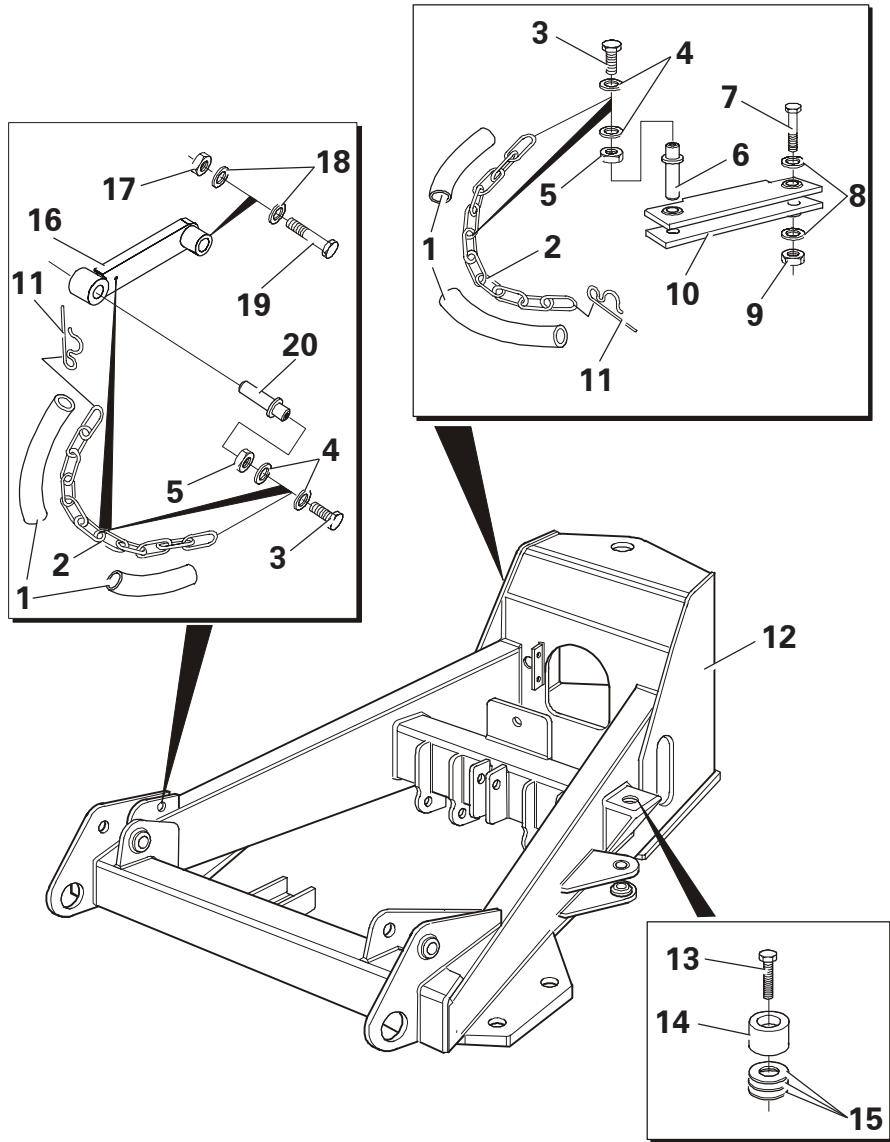
Engine Cover Assembly

SKIP ASSEMBLY

| Item | Part No. | Description | Qty | U/M |
|------|----------|-------------------|------|-----|
| 1 | T100215 | SKIP | 1.0 | EA |
| 2 | T17086 | SCREW | 6.0 | EA |
| 3 | T13911 | WASHER | 12.0 | EA |
| 4 | T16481 | NYLOC NUT | 6.0 | EA |
| 5 | T100304 | MUDFLAP RETAINER | 2.0 | EA |
| 6 | T100027 | MUDFLAP RUBBER | 2.0 | EA |
| 7 | T100153 | NAMEPLATE | 1.0 | EA |
| 8 | T16505 | SET BOLT | 6.0 | EA |
| 9 | T17184 | HEAVY DUTY WASHER | 6.0 | EA |
| 10 | T15819 | PLAIN WASHER | 4.0 | EA |
| 11 | T13064 | NUT | 6.0 | EA |
| 12 | T100029 | BUSH | 4.0 | EA |
| 13 | T16586 | GREASE NIPPLE | 2.0 | EA |
| 14 | T100099 | CIRCLIP | 2.0 | EA |
| 15 | T100086 | SKIP PIVOT PIN | 2.0 | EA |



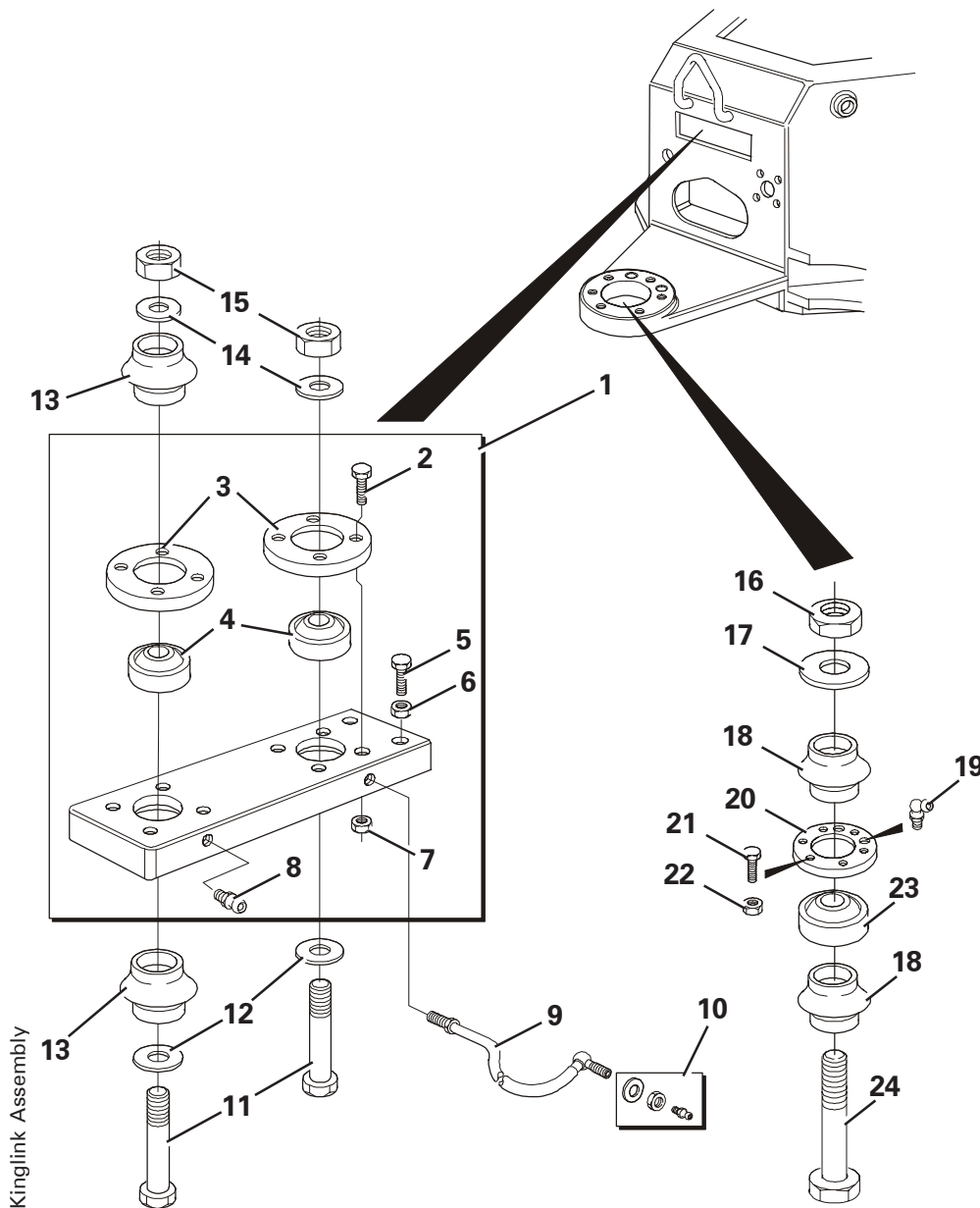
FRONT CHASSIS ASSEMBLY



| Item | Part No. | Description | Qty | U/M |
|------|----------|-----------------------|-----|-----|
| 1 | T19465 | CHAIN SLEEVE | 2.0 | EA |
| 2 | T18186 | RETAINING CHAIN | 2.0 | EA |
| 3 | T16476 | SET BOLT | 4.0 | EA |
| 4 | T13911 | FLAT WASHER | 8.0 | EA |
| 5 | T10431 | NUT | 4.0 | EA |
| 6 | T100103 | CHASSIS LOCK PIN ASSY | 1.0 | EA |
| 7 | T100310 | BOLT | 1.0 | EA |
| 8 | T17306 | PLAIN WASHER | 2.0 | EA |
| 9 | T13739 | NUT | 1.0 | EA |
| 10 | T100102 | CHASSIS LOCK BAR ASSY | 1.0 | EA |
| 11 | T10012 | LINCH PIN | 2.0 | EA |
| 12 | T100055 | FRONT CHASSIS | 1.0 | EA |
| 13 | T14909 | BOLT | 2.0 | EA |
| 14 | T100302 | SKIP PAD | 2.0 | EA |
| 15 | T100578 | SKIP PAD SPACER 3mm | A/R | EA |
| | T100303 | SKIP PAD SPACER 5mm | A/R | EA |
| | T100386 | SKIP PAD SPACER 10mm | A/R | EA |
| 16 | T100499 | SKIP PROP | 1.0 | EA |
| 17 | T20320 | PHILIDAS NUT | 1.0 | EA |
| 18 | T20321 | WASHER | 2.0 | EA |
| 19 | T100504 | BOLT | 1.0 | EA |
| 20 | T100461 | SKIP PROP PIN | 1.0 | EA |

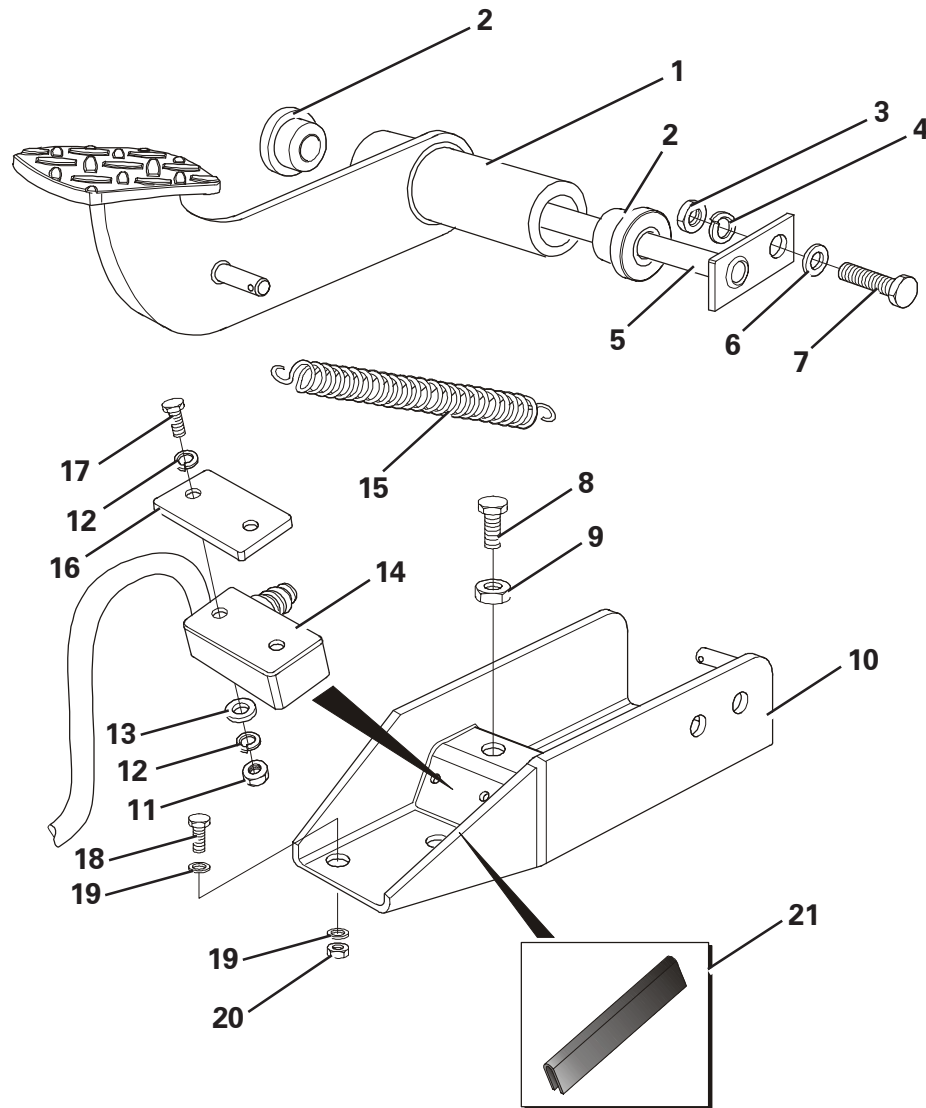
KINGLINK ASSEMBLY

| Item | Part No. | Description | Qty | U/M |
|------|----------|-------------------------|-----|-----|
| 1 | T52546 | KINGLINK ASSEMBLY | 1.0 | EA |
| 2 | T12858 | BOLT | 8.0 | EA |
| 3 | T12995 | BEARING CAP KINGLINK | 2.0 | EA |
| 4 | T10323 | SPHERICAL BEARING | 2.0 | EA |
| 5 | T14078 | BOLT | 2.0 | EA |
| 6 | T16536 | NUT | 2.0 | EA |
| 7 | T7631 | PHILIDAS NUT | 8.0 | EA |
| 8 | T7486 | STRAIGHT GREASE NIPPLE | 1.0 | EA |
| 9 | T100354 | GREASE PIPE | 1.0 | EA |
| 10 | T52549 | GREASE NIPPLE ASSEMBLY | 1.0 | EA |
| 11 | T100092 | TOP PIVOT BOLT | 2.0 | EA |
| 12 | T8327 | WASHER | 2.0 | EA |
| 13 | T10160 | RUBBER DUST SEAL | 2.0 | EA |
| 14 | T7695 | WASHER | 2.0 | EA |
| 15 | T10331 | LOCKNUT | 2.0 | EA |
| 16 | T12981 | PHILIDAS NUT | 1.0 | EA |
| 17 | T13173 | PLAIN WASHER | 1.0 | EA |
| 18 | T100028 | DUST SEAL | 2.0 | EA |
| 19 | T16576 | GREASE NIPPLE | 2.0 | EA |
| 20 | T100137 | BEARING CAP | 1.0 | EA |
| 21 | T12982 | BOLT | 6.0 | EA |
| 22 | T7631 | PHILIDAS NUT | 6.0 | EA |
| 23 | T12984 | SPHERICAL PLAIN BEARING | 1.0 | EA |
| 24 | T100091 | BOTTOM PIVOT BOLT | 1.0 | EA |



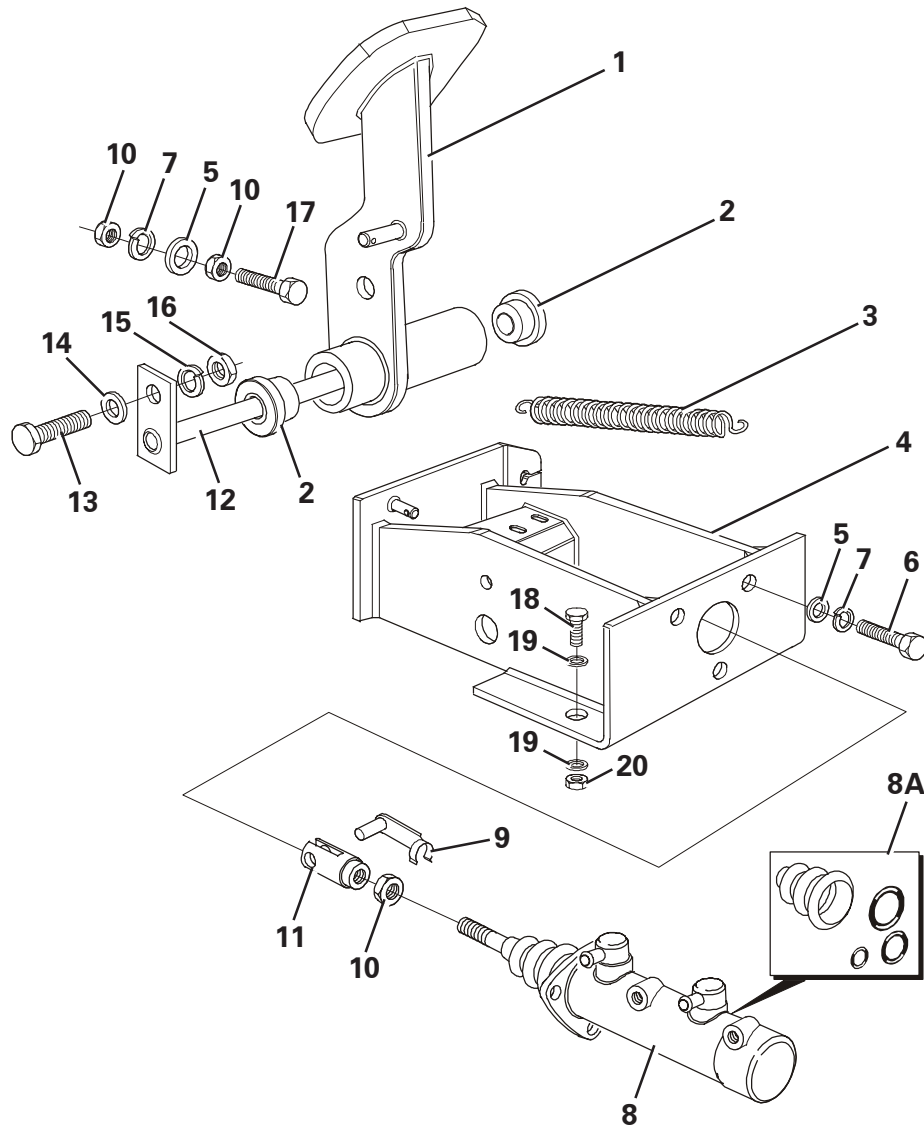
Kinglink Assembly

DUMP PEDAL ASSEMBLY



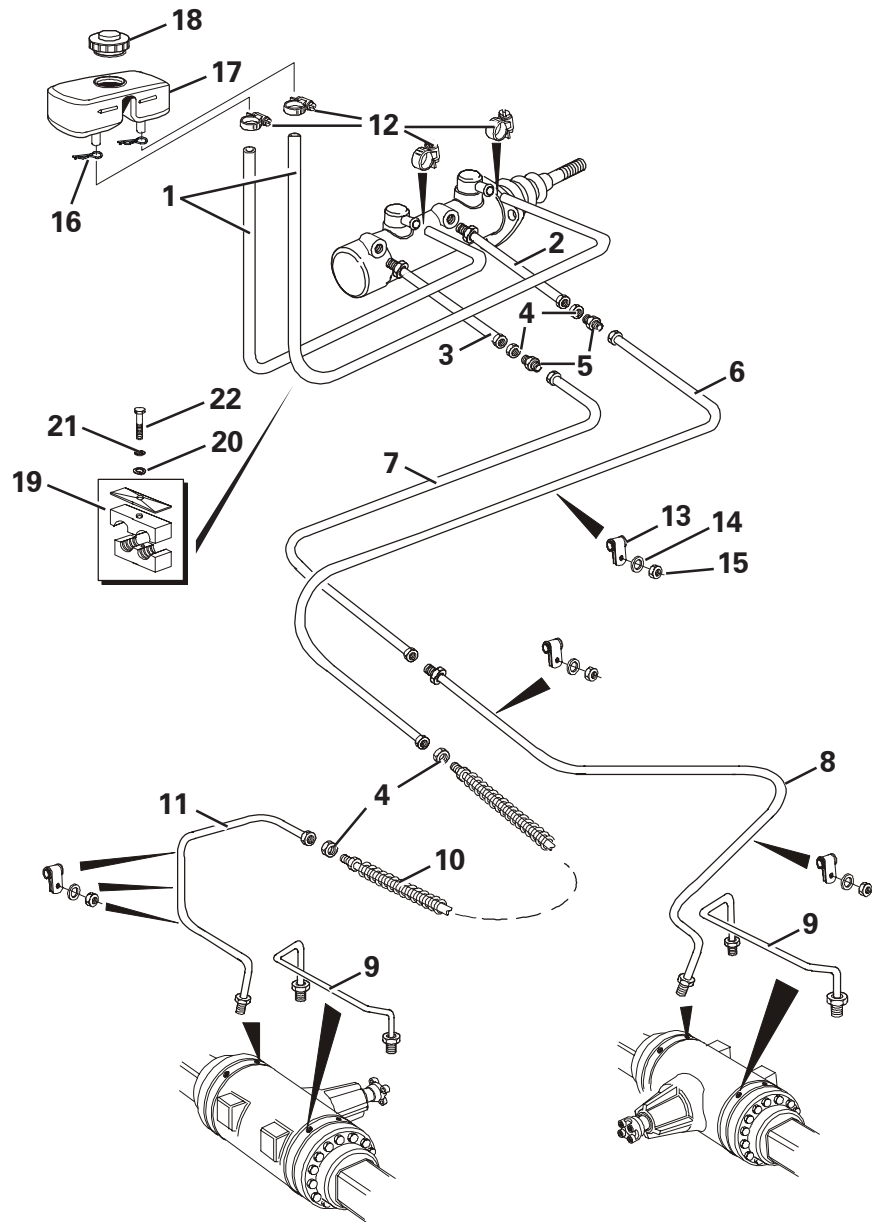
| Item | Part No. | Description | Qty | U/M |
|------|----------|----------------------|-----|-----|
| 1 | T100094 | DUMP VALVE PEDAL | 1.0 | EA |
| 2 | T100110 | BUSH | 2.0 | EA |
| 3 | T10431 | NUT | 1.0 | EA |
| 4 | T14837 | SPRING WASHER PLATED | 1.0 | EA |
| 5 | T100096 | PEDAL SHAFT | 1.0 | EA |
| 6 | T13911 | DIA FLAT WASHER | 1.0 | EA |
| 7 | T16477 | HEX HEAD BOLT | 1.0 | EA |
| 8 | T7465 | SET SCREW PLATED | 1.0 | EA |
| 9 | T9775 | NUT PLATED | 1.0 | EA |
| 10 | T100230 | DUMP VALVE BRACKET | 1.0 | EA |
| 11 | T11447 | NUT | 2.0 | EA |
| 12 | T11439 | SPRING WASHER PLATED | 4.0 | EA |
| 13 | T11440 | WASHER PLATED | 2.0 | EA |
| 14 | T100223 | MICRO SWITCH | 1.0 | EA |
| 15 | T100319 | DUMP PEDAL SPRING | 1.0 | EA |
| 16 | T13289 | BACKING PLATE | 1.0 | EA |
| 17 | T13321 | HEX HD SET SCREW | 2.0 | EA |
| 18 | T16505 | SET BOLT | 2.0 | EA |
| 19 | T10734 | H/DUTY WASHER | 4.0 | EA |
| 20 | T13064 | NUT | 2.0 | EA |
| 21 | T52795 | E J TRIM | 1.0 | EA |

BRAKE PEDAL ASSEMBLY



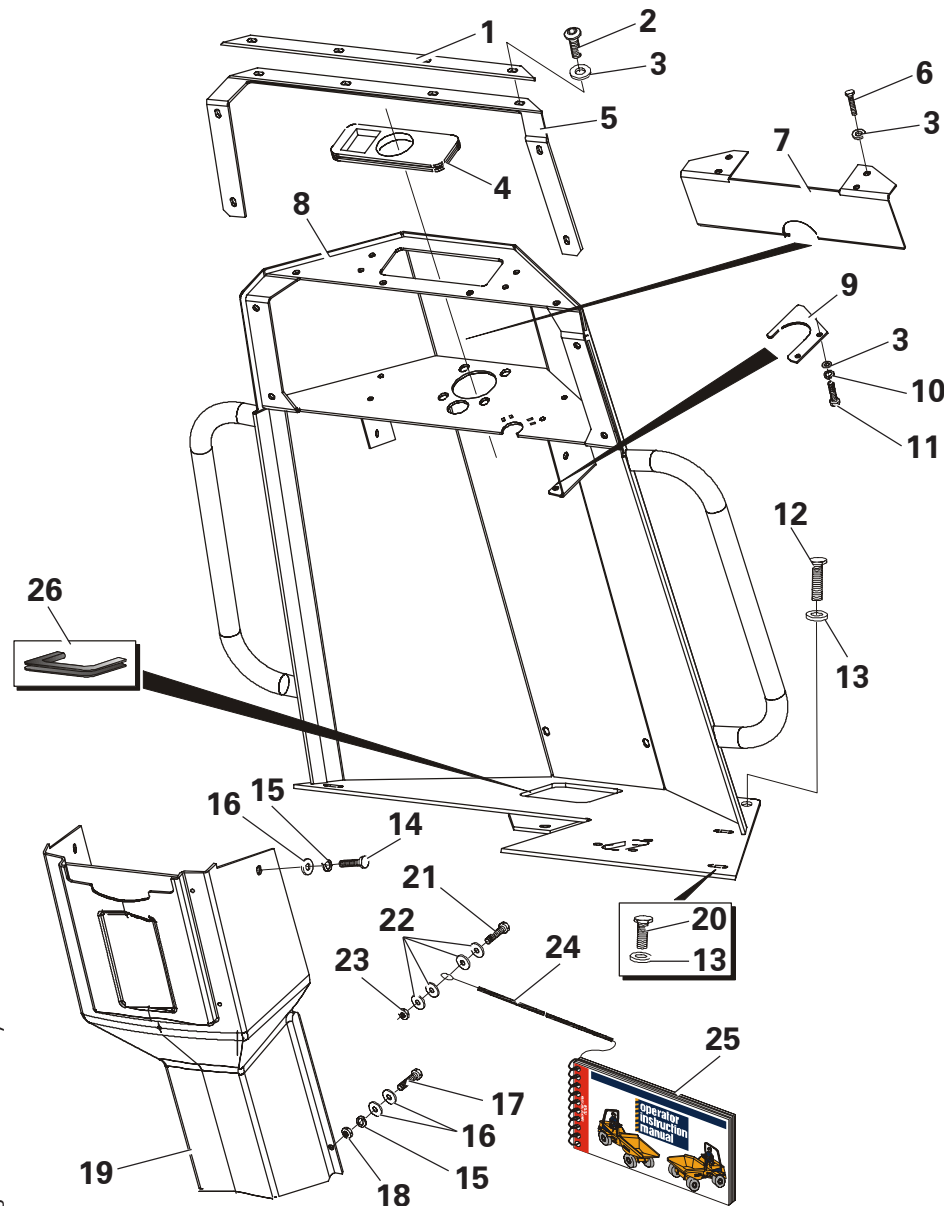
| Item | Part No. | Description | Qty | U/M |
|------|----------|--------------------------|-----|-----|
| 1 | T100093 | BRAKE PEDAL | 1.0 | EA |
| 2 | T100110 | BUSH | 2.0 | EA |
| 3 | T100318 | BRAKE SPRING | 1.0 | EA |
| 4 | T100095 | MASTER CYLINDER MTG BRKT | 1.0 | EA |
| 5 | T15819 | PLAIN WASHER - PLATED | 4.0 | EA |
| 6 | T16505 | HEX HD SET BOLT | 3.0 | EA |
| 7 | T13362 | SPRING WASHER PLATED | 4.0 | EA |
| 8 | T100410 | MASTER CYLINDER | 1.0 | EA |
| 8A | T52603 | SEAL KIT | 1.0 | EA |
| 9 | T100084 | SPRING CLEVIS PIN | 1.0 | EA |
| 10 | T12509 | NUT PLATED | 3.0 | EA |
| 11 | T100083 | FORK END | 1.0 | EA |
| 12 | T100096 | PEDAL SHAFT | 1.0 | EA |
| 13 | T16477 | HEX HEAD BOLT | 1.0 | EA |
| 14 | T13911 | DIA FLAT WASHER | 1.0 | EA |
| 15 | T14837 | SPRING WASHER PLATED | 1.0 | EA |
| 16 | T10431 | NUT | 1.0 | EA |
| 17 | T20618 | SET SCREW LONG | 1.0 | EA |
| 18 | T16505 | SET BOLT | 2.0 | EA |
| 19 | T10734 | H/DUTY WASHER | 4.0 | EA |
| 20 | T13064 | NUT | 2.0 | EA |

BRAKE CIRCUIT - FORWARD TIP



| Item | Part No. | Description | Qty | U/M |
|------|----------|------------------------|-----|-----|
| 1 | T19604 | M/CYL-RES.HOSE | 2.0 | EA |
| 2 | T100692 | BRAKE PIPE | 1.0 | EA |
| 3 | T100693 | BRAKE PIPE | 1.0 | EA |
| 4 | T8942 | LOCKNUT (GIRLING TYPE) | 4.0 | EA |
| 5 | T100697 | BRAKE B/H UNION | 2.0 | EA |
| 6 | T100695 | BRAKE PIPE | 1.0 | EA |
| 7 | T100694 | BRAKE PIPE | 1.0 | EA |
| 8 | T100173 | BRAKE PIPE | 1.0 | EA |
| 9 | T100174 | BRAKE PIPE | 2.0 | EA |
| 10 | T100335 | FLEXIBLE HOSE C/W NUTS | 1.0 | EA |
| 11 | T100123 | BRAKE PIPE | 1.0 | EA |
| 12 | T100421 | SPRING BAND CLAMP | 4.0 | EA |
| 13 | T11452 | PIPE CLIP | 5.0 | EA |
| 14 | T16612 | PLAIN WASHER PLATED | 5.0 | EA |
| 15 | T16613 | NYLOC NUT PLATED | 5.0 | EA |
| 16 | T52646 | RESERVOIR 'P' CLIP | 2.0 | EA |
| 17 | T17916 | BRAKE M/CYL.RESERVOIR | 1.0 | EA |
| 18 | T51682 | RESERVOIR CAP | 1.0 | EA |
| 19 | T19060 | PIPE CLAMP | 1.0 | EA |
| 20 | T12973 | PLAIN WASHER | 1.0 | EA |
| 21 | T12972 | SPRING WASHER | 1.0 | EA |
| 22 | T16494 | SET BOLT | 1.0 | EA |

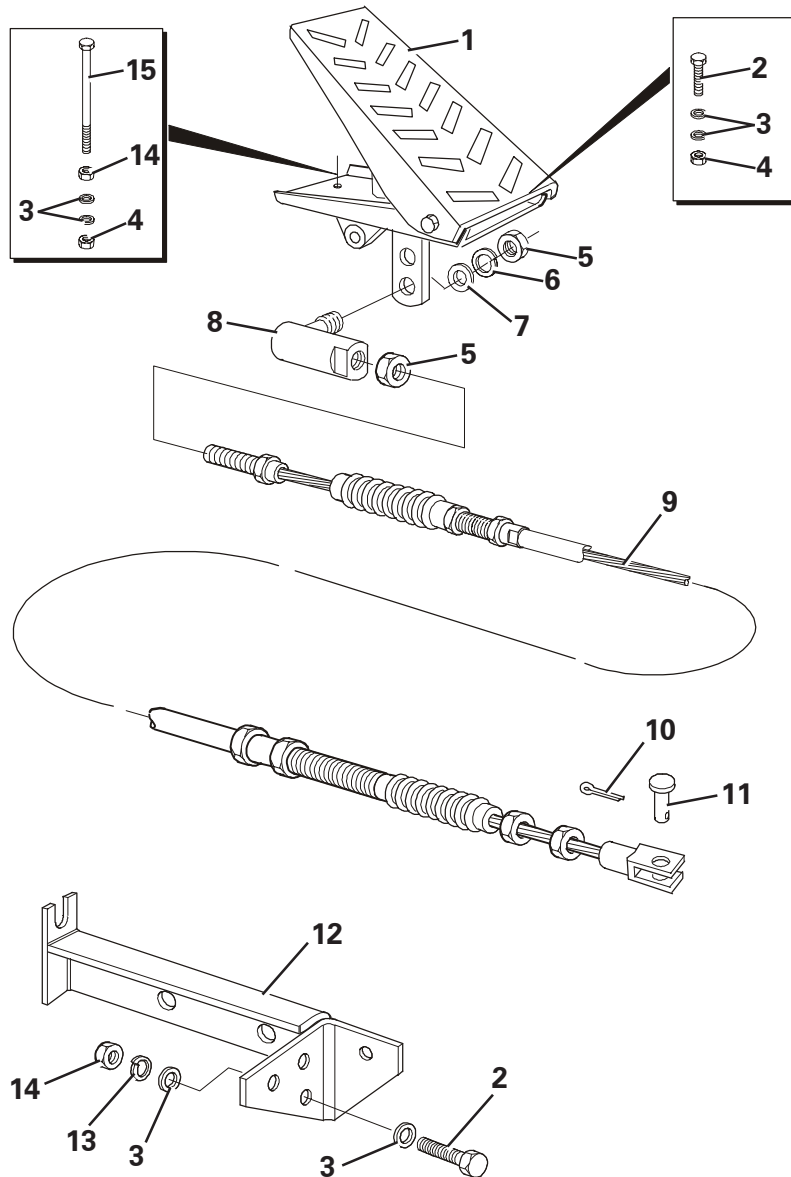
LEG GUARD ASSEMBLY



| Item | Part No. | Description | Qty | U/M |
|------|----------|----------------------|------|-----|
| 1 | T100506 | CLAMPING STRIP | 1.0 | EA |
| 2 | T100315 | SCREW | 4.0 | EA |
| 3 | T13911 | FLAT WASHER | 10.0 | EA |
| 4 | T100355 | STEERING GROMMET | 1.0 | EA |
| 5 | T100320 | SEALING GASKET | 1.0 | EA |
| 6 | T16492 | DOME HEAD SCREW | 4.0 | EA |
| 7 | T100540 | SPLASH GUARD | 1.0 | EA |
| 8 | T100080 | LEG GUARD | 1.0 | EA |
| 9 | T100667 | HARNESS MTG | 1.0 | EA |
| 10 | T14837 | SPRING WASHER | 2.0 | EA |
| 11 | T10917 | SET BOLT PLATED | 2.0 | EA |
| 12 | T16500 | BOLT | 2.0 | EA |
| 13 | T10734 | H/DUTY WASHER PLATED | 5.0 | EA |
| 14 | T10917 | SET BOLT PLATED | 2.0 | EA |
| 15 | T10418 | SHAKEPROOF WASHER | 4.0 | EA |
| 16 | T15830 | FLAT WASHER | 6.0 | EA |
| 17 | T16477 | HEX HEAD BOLT | 2.0 | EA |
| 18 | T10431 | NUT | 2.0 | EA |
| 19 | T100159 | INNER LEG GUARD | 1.0 | EA |
| 20 | T20618 | SET SCREW | 3.0 | EA |
| 21 | T12694 | SET SCREW | 1.0 | EA |
| 22 | T9345 | WASHER | 4.0 | EA |
| 23 | T13457 | NYLOC NUT | 1.0 | EA |
| 24 | T100699 | RETAINING CABLE | 1.0 | EA |
| 25 | T100597 | OPERATOR MANUAL | 1.0 | EA |
| 26 | T52795 | E J TRIM | 1.0 | EA |

Leg Guard Assembly

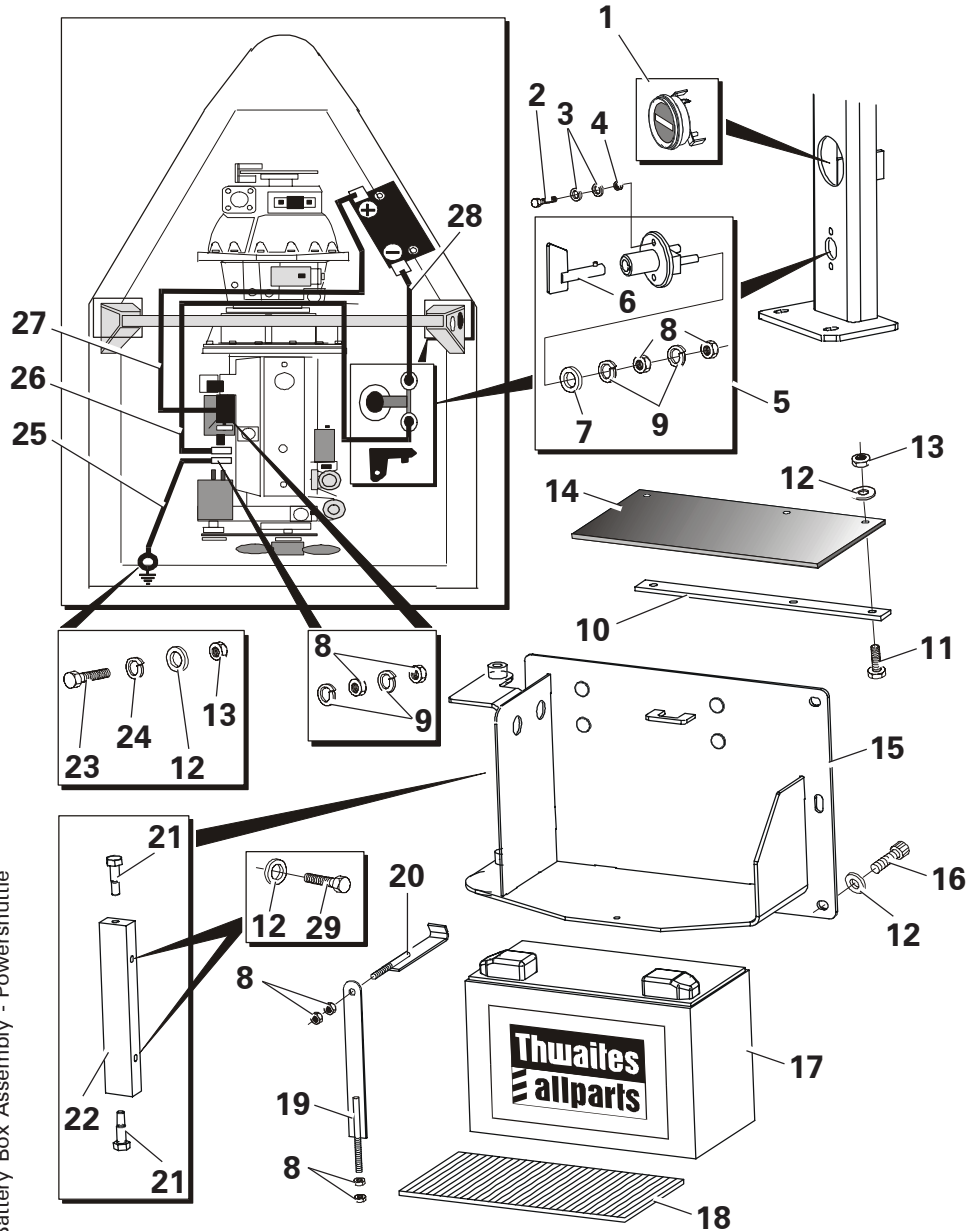
THROTTLE ASSEMBLY



| Item | Part No. | Description | Qty | U/M |
|------|----------|------------------------|------|-----|
| 1 | T18931 | ACCELERATOR PEDAL | 1.0 | EA |
| 2 | T16477 | HEAD BOLT | 5.0 | EA |
| 3 | T13911 | FLAT WASHER | 12.0 | EA |
| 4 | T16481 | NYLOC NUT | 3.0 | EA |
| 5 | T10431 | NUT | 2.0 | EA |
| 6 | T6738 | SPRING WASHER | 1.0 | EA |
| 7 | T6762 | FLAT WASHER | 1.0 | EA |
| 8 | T16192 | AMEL END | 1.0 | EA |
| 9 | T100267 | THROTTLE CABLE | 1.0 | EA |
| 10 | T6744 | SPLIT PIN | 1.0 | EA |
| 11 | T13265 | CLEVIS PIN | 1.0 | EA |
| 12 | T19228 | THROTTLE REACTION BRKT | 1.0 | EA |
| 13 | T14837 | SPRING WASHER | 3.0 | EA |
| 14 | T10431 | NUT | 4.0 | EA |
| 15 | T16475 | BOLT | 1.0 | EA |

Throttle Assembly

BATTERY BOX ASSEMBLY

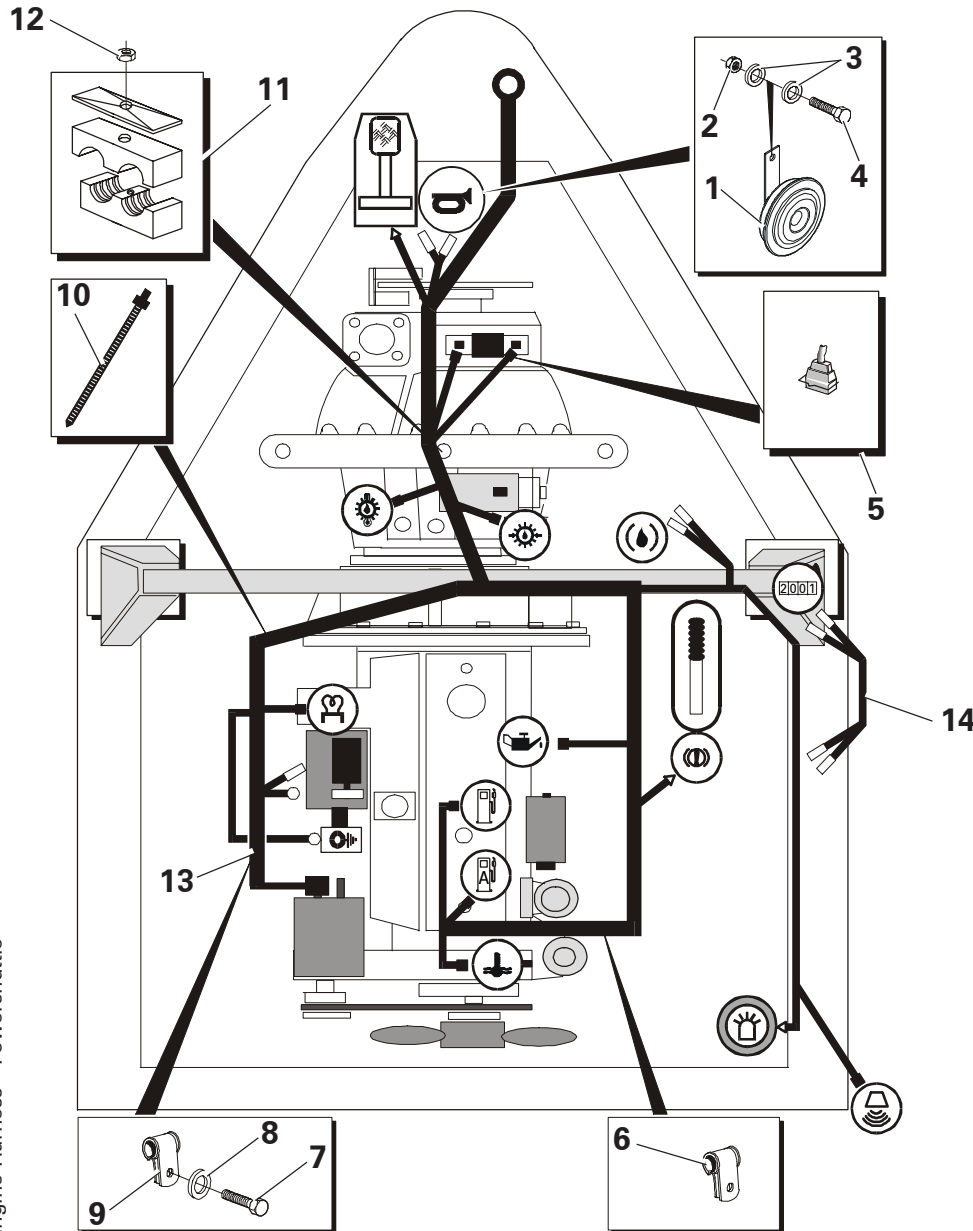


| Item | Part No. | Description | Qty | U/M |
|------|----------|-------------------------|------|-----|
| 1 | T16538 | HOURMETER | 1.0 | EA |
| 2 | T16611 | SCREW | 2.0 | EA |
| 3 | T16612 | PLAIN WASHER | 4.0 | EA |
| 4 | T16613 | NYLOC NUT | 2.0 | EA |
| 5 | T20846 | BATTERY ISOLATOR SWITCH | 1.0 | EA |
| 6 | T52600 | KEY | 1.0 | EA |
| 7 | T12973 | PLAIN WASHER | 2.0 | EA |
| 8 | T9775 | NUT | 12.0 | EA |
| 9 | T12972 | SPRING WASHER | 8.0 | EA |
| 10 | T100394 | BATTERY COVER RETAINER | 1.0 | EA |
| 11 | T16505 | SET BOLT | 3.0 | EA |
| 12 | T15819 | PLAIN WASHER | 8.0 | EA |
| 13 | T12762 | LOCKING NUT | 4.0 | EA |
| 14 | T100393 | RUBBER BATTERY COVER | 1.0 | EA |
| 15 | T100301 | BATTERY BOX | 1.0 | EA |
| 16 | T17842 | CAPSCREW | 2.0 | EA |
| 17 | T8008 | BATTERY | 1.0 | EA |
| 18 | T12874 | BATTERY MAT | 1.0 | EA |
| 19 | T100433 | BATTERY CLAMP | 1.0 | EA |
| 20 | T100432 | BATTERY STOP TOP | 1.0 | EA |
| 21 | T100577 | PIVOT PIN | 2.0 | EA |
| 22 | T100576 | BATTERY BOX HINGE | 1.0 | EA |
| 23 | T20618 | SET SCREW | 1.0 | EA |
| 24 | T13362 | SPRING WASHER | 1.0 | EA |
| 25 | T100507 | EARTH LEAD | 1.0 | EA |
| 26 | T100041 | CABLE ISOLATOR NEGATIVE | 1.0 | EA |
| 27 | T100039 | CABLE BATTERY POSITIVE | 1.0 | EA |
| 28 | T100040 | CABLE BATTERY NEGATIVE | 1.0 | EA |
| 29 | T16771 | CAP SCREW | 2.0 | EA |

Battery Box Assembly - Powershuttle

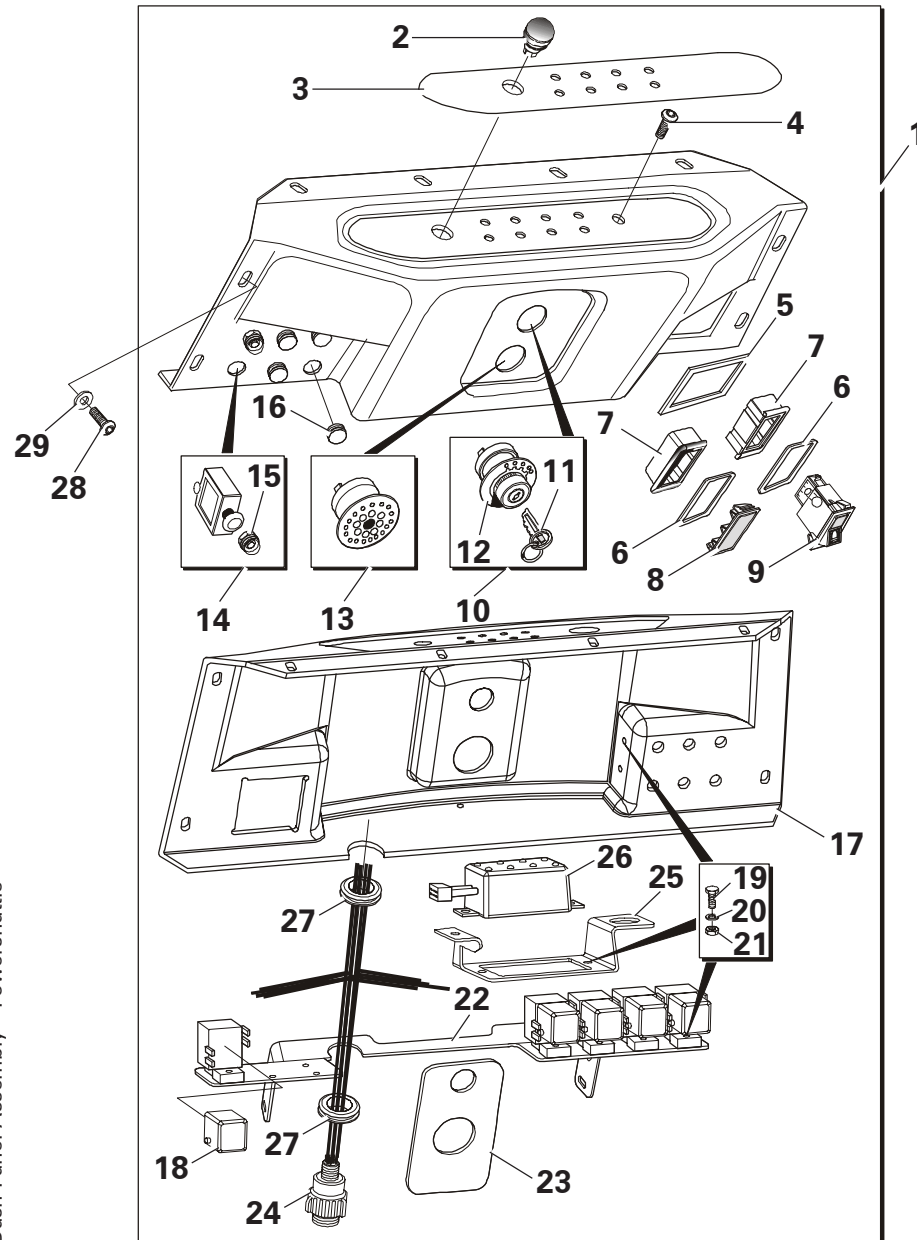
ENGINE HARNESS

| Item | Part No. | Description | Qty | U/M |
|------|----------|-----------------------------|-----|-----|
| 1 | T15110 | HORN - HIGH TONE | 1.0 | EA |
| 2 | T16481 | NYLOC NUT | 1.0 | EA |
| 3 | T13911 | FLAT WASHER | 2.0 | EA |
| 4 | T16477 | BOLT | 1.0 | EA |
| 5 | T51678 | SOLENIOD CONNECTOR | A/R | EA |
| 6 | T9914 | HOSE CLIP | 1.0 | EA |
| 7 | T16668 | CAP SCREW | 2.0 | EA |
| 8 | T13362 | SPRING WASHER | 2.0 | EA |
| 9 | T11514 | PIPE CLIP | 2.0 | EA |
| 10 | T9164 | NYLON CLIPS | A/R | EA |
| 11* | T101042 | PIPE CLAMP | 1.0 | EA |
| 12 | T13457 | NYLOC NUT | 1.0 | EA |
| 13 | T100018 | HARNESS ENGINE | 1.0 | EA |
| 14* | T101059 | RETROFIT HOURMETER FIX LOOM | 1.0 | EA |



Engine Harness - Powershuttle

DASH PANEL ASSEMBLY

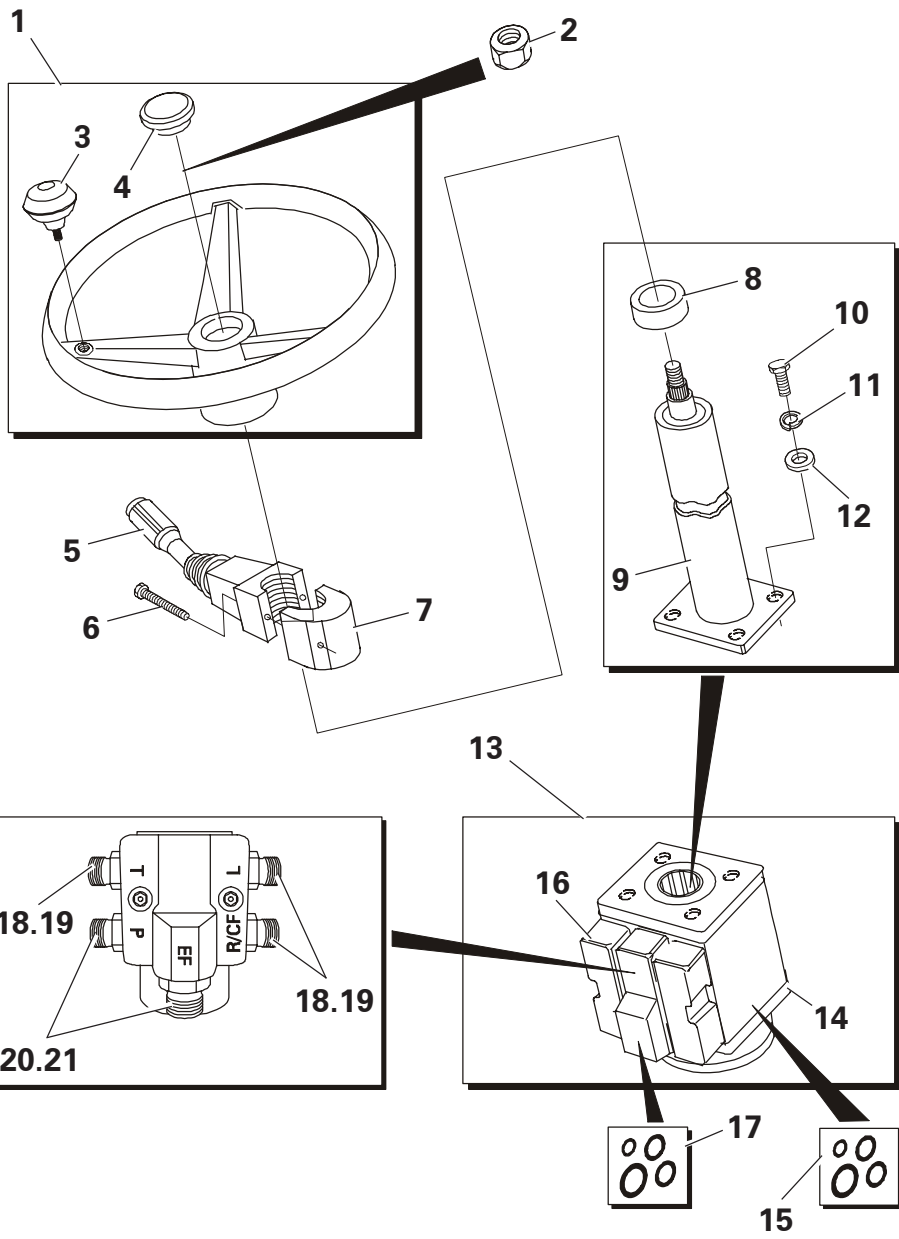


| Item | Part No. | Description | Qty | U/M |
|------|----------|-------------------------|------|-----|
| 1 | T100082 | CONSOLE BOX ASSY | 1.0 | EA |
| 2 | T52302 | HORN PUSH | 1.0 | EA |
| 3 | T52308 | CONSOLE DECAL | 1.0 | EA |
| 4 | T52449 | C/SUNK BOLT | 1.0 | EA |
| 5 | T52448 | SWITCH PANEL GASKET | 1.0 | EA |
| 6 | T52304 | SWITCH BLANK SEAL | 2.0 | EA |
| 7 | T52446 | SWITCH MOUNTING PANEL | 2.0 | EA |
| 8 | T52303 | SWITCH BLANK | 1.0 | EA |
| 9 | T52445 | BEACON SWITCH | 1.0 | EA |
| 10 | T52307 | IGNITION SWITCH | 1.0 | EA |
| 11 | T50479 | STARTER SWITCH KEY | 1.0 | EA |
| 12 | T52311 | INDEX PLATE | 1.0 | EA |
| 13 | T52309 | WARNING BUZZER | 1.0 | EA |
| 14 | T52305 | CIRCUIT BREAKER 12AMP | 2.0 | EA |
| 15 | T52306 | CIRCUIT BREAKER COVER | 2.0 | EA |
| 16 | T52447 | BLANKING GROMMET | 4.0 | EA |
| 17 | T52408 | DASH PANEL | 1.0 | EA |
| 18 | T52457 | RELAY | 5.0 | EA |
| 19 | T16610 | SCREW | 13.0 | EA |
| 20 | T16612 | PLAIN WASHER | 13.0 | EA |
| 21 | T16613 | NYLOC NUT | 13.0 | EA |
| 22 | T100487 | RELAY MOUNTING BRACKET | 1.0 | EA |
| 23 | T100445 | SWITCH BACKING PLATE | 1.0 | EA |
| 24 | T52300 | PANEL HARNESS (SHUTTLE) | 1.0 | EA |
| 25 | T100446 | LED MODULE MTG BRACKET | 1.0 | EA |
| 26 | T52301 | LED MODULE | 1.0 | EA |
| 27 | T9538 | GROMMET | 2.0 | EA |
| 28 | T100315 | SCREW | 4.0 | EA |
| 29 | T13911 | FLAT WASHER | 4.0 | EA |

Dash Panel Assembly - Powershuttle

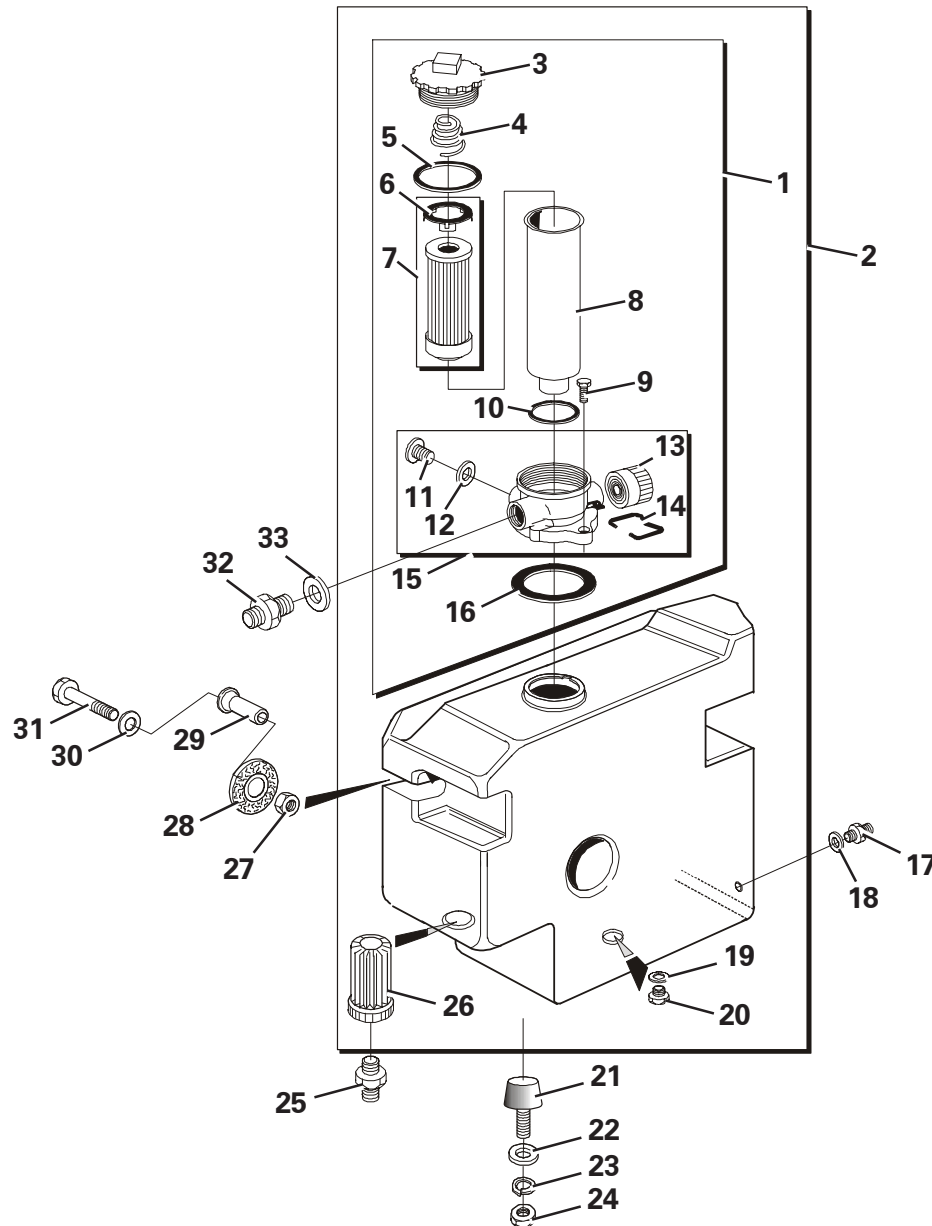
STEERING ASSEMBLY

| Item | Part No. | Description | Qty | U/M |
|------|----------|-------------------------|-----|-----|
| 1 | T100496 | STEERING WHEEL & CAP | 1.0 | EA |
| 2 | T100690 | NYLOC NUT | 1.0 | EA |
| 3 | T52520 | SPINNER KNOB | 1.0 | EA |
| 4 | T50541 | CENTRE CAP | 1.0 | EA |
| 5 | T100019 | COLUMN SWITCH P/SHUTTLE | 1.0 | EA |
| 6 | T19583 | CAPSCREW | 2.0 | EA |
| 7 | T19611 | COLUMN SWITCH CLAMP | 1.0 | EA |
| 8 | T52517 | END CAP | 1.0 | EA |
| 9 | T100015 | STEERING COLUMN | 1.0 | EA |
| 10 | T7466 | SET SCREW | 4.0 | EA |
| 11 | T13362 | SPRING WASHER | 4.0 | EA |
| 12 | T15819 | PLAIN WASHER | 4.0 | EA |
| 13 | T18782 | STEERING/PRIORITY VALVE | 1.0 | EA |
| 14 | T18601 | STEERING VALVE | 1.0 | EA |
| 15 | T51661 | SEAL KIT | 1.0 | EA |
| 16 | T18602 | PRIORITY VALVE | 1.0 | EA |
| 17 | T51662 | SEAL KIT | 1.0 | EA |
| 18 | T11165 | ADAPTOR | 3.0 | EA |
| 19 | T5637 | BONDED SEAL | 3.0 | EA |
| 20 | T100465 | ADAPTOR | 2.0 | EA |
| 21 | T5596 | HYDRAULIC SEAL | 2.0 | EA |



Steering Assembly

HYDRAULIC TANK ASSEMBLY

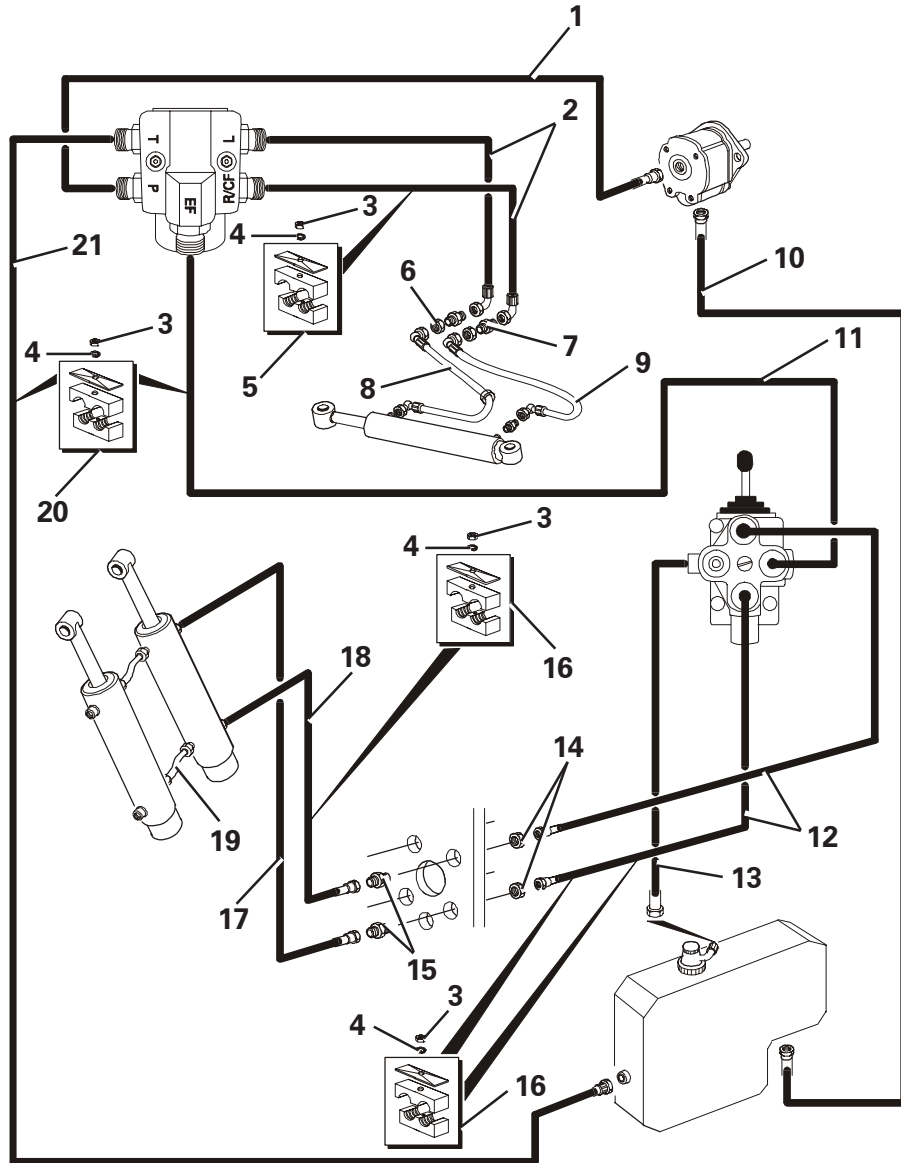


| Item | Part No. | Description | Qty | U/M |
|------|----------|-------------------------|-----|-----|
| 1 | T52287 | HYD RETURN FILTER | 1.0 | EA |
| 2 | T100012 | HYDRAULIC TANK ASSY 70L | 1.0 | EA |
| 3 | T52624 | COVER | 1.0 | EA |
| 4 | T52625 | SPRING | 1.0 | EA |
| 5 | T52626 | SEAL | 1.0 | EA |
| 6 | T52627 | FILTER CLIP | 1.0 | EA |
| 7 | T52286 | HYDRAULIC ELEMENT | 1.0 | EA |
| 8 | T52628 | LOWER CASING | 1.0 | EA |
| 9 | T52545 | BOLT | 1.0 | EA |
| 10 | T52629 | SEAL | 1.0 | EA |
| 11 | T52630 | PLUG | 1.0 | EA |
| 12 | T52631 | WASHER | 1.0 | EA |
| 13 | T52632 | BREATHER CAP | 1.0 | EA |
| 14 | T52633 | CLIP | 1.0 | EA |
| 15 | T52634 | HEAD ASSEMBLY | 1.0 | EA |
| 16 | T52635 | SEAL | 1.0 | EA |
| 17 | T13936 | ADAPTOR | 1.0 | EA |
| 18 | T5596 | HYDRAULIC SEAL | 1.0 | EA |
| 19 | T52588 | FIBRE WASHER | 1.0 | EA |
| 20 | T52288 | DRAIN PLUG | 1.0 | EA |
| 21 | T100214 | RUBBER BUFFER (NBR) | 2.0 | EA |
| 22 | T9345 | WASHER PLATED | 2.0 | EA |
| 23 | T12972 | SPRING WASHER | 2.0 | EA |
| 24 | T9775 | NUT PLATED | 2.0 | EA |
| 25 | T19788 | ADAPTOR | 1.0 | EA |
| 26 | T52694 | SUCTION ELEMENT | 1.0 | EA |
| 27 | T13064 | NUT | 2.0 | EA |
| 28 | T100323 | RUBBER BACKED WASHER | 2.0 | EA |
| 29 | T100372 | TANK SPACER | 2.0 | EA |
| 30 | T10734 | H/DUTY WASHER PLATED | 2.0 | EA |
| 31 | T52092 | BOLT HEX.HEAD | 2.0 | EA |
| 32 | T8014 | EQUAL MALE ADAPTOR | 1.0 | EA |
| 33 | T5594 | SEAL | 1.0 | EA |

Hydraulic Tank Assembly

HYDRAULIC CIRCUIT

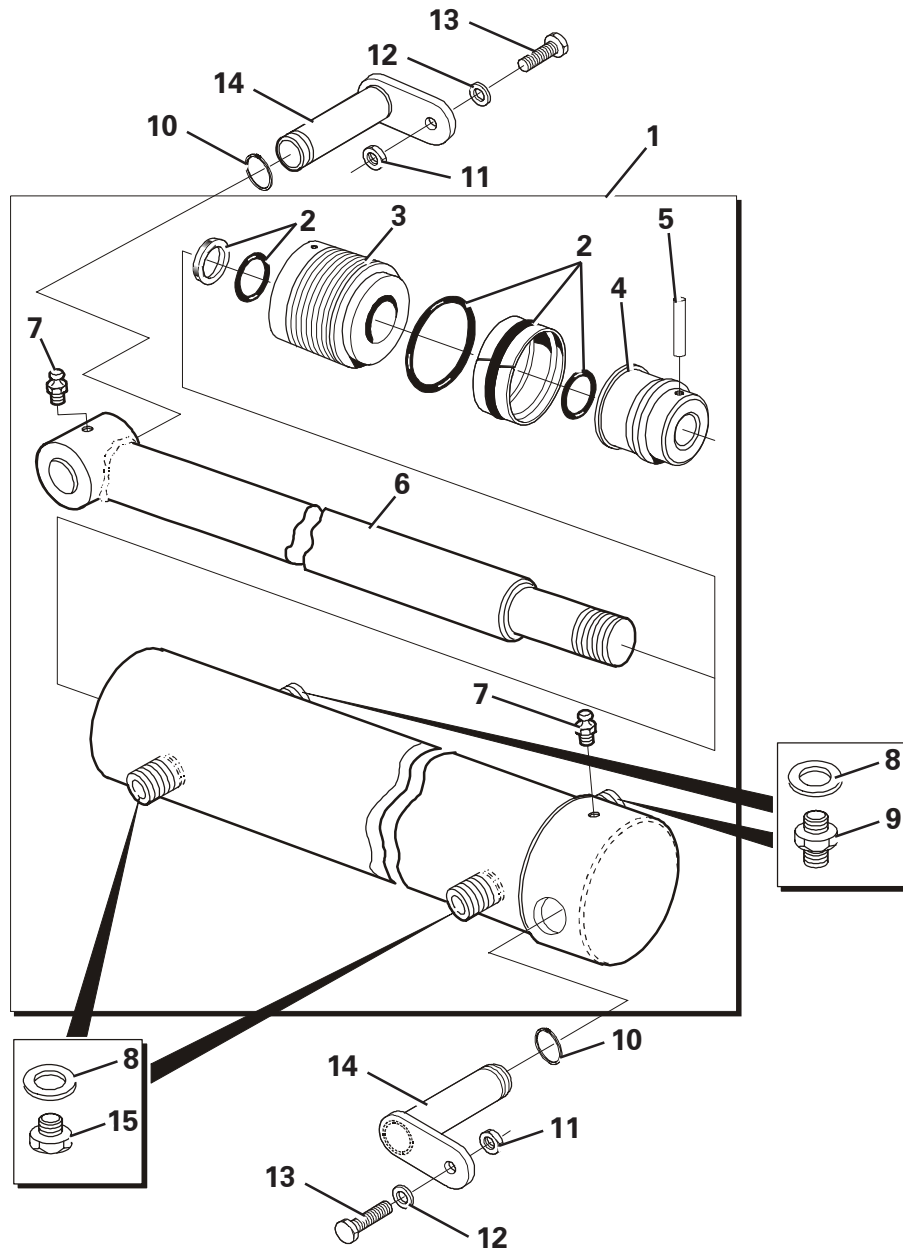
| Item | Part No. | Description | Qty | U/M |
|------|----------|---------------|-----|-----|
| 1 | T100176 | HOSE | 1.0 | EA |
| 2 | T100178 | HOSE | 2.0 | EA |
| 3 | T13457 | NYLOC NUT | 5.0 | EA |
| 4 | T12972 | SPRING WASHER | 5.0 | EA |
| 5 | T20412 | PIPE CLAMP | 1.0 | EA |
| 6 | T52553 | LOCKNUT | 2.0 | EA |
| 7 | T13523 | ADAPTOR | 2.0 | EA |
| 8 | T100184 | HOSE | 1.0 | EA |
| 9 | T100183 | HOSE | 1.0 | EA |
| 10 | T100175 | SUCTION HOSE | 1.0 | EA |
| 11 | T100179 | HOSE | 1.0 | EA |
| 12 | T100181 | HOSE | 2.0 | EA |
| 13 | T100180 | HOSE | 1.0 | EA |
| 14 | T52552 | LOCKNUT | 2.0 | EA |
| 15 | T100392 | ADAPTOR | 2.0 | EA |
| 16 | T100564 | PIPE CLAMP | 3.0 | EA |
| 17 | T100192 | HOSE | 1.0 | EA |
| 18 | T100191 | HOSE | 1.0 | EA |
| 19 | T100193 | HOSE | 2.0 | EA |
| 20 | T19115 | PIPE CLAMP | 2.0 | EA |
| 21 | T100177 | HOSE | 1.0 | EA |



Hydraulic Circuit - Forward Tip

TIPPING RAM ASSEMBLY - L/H

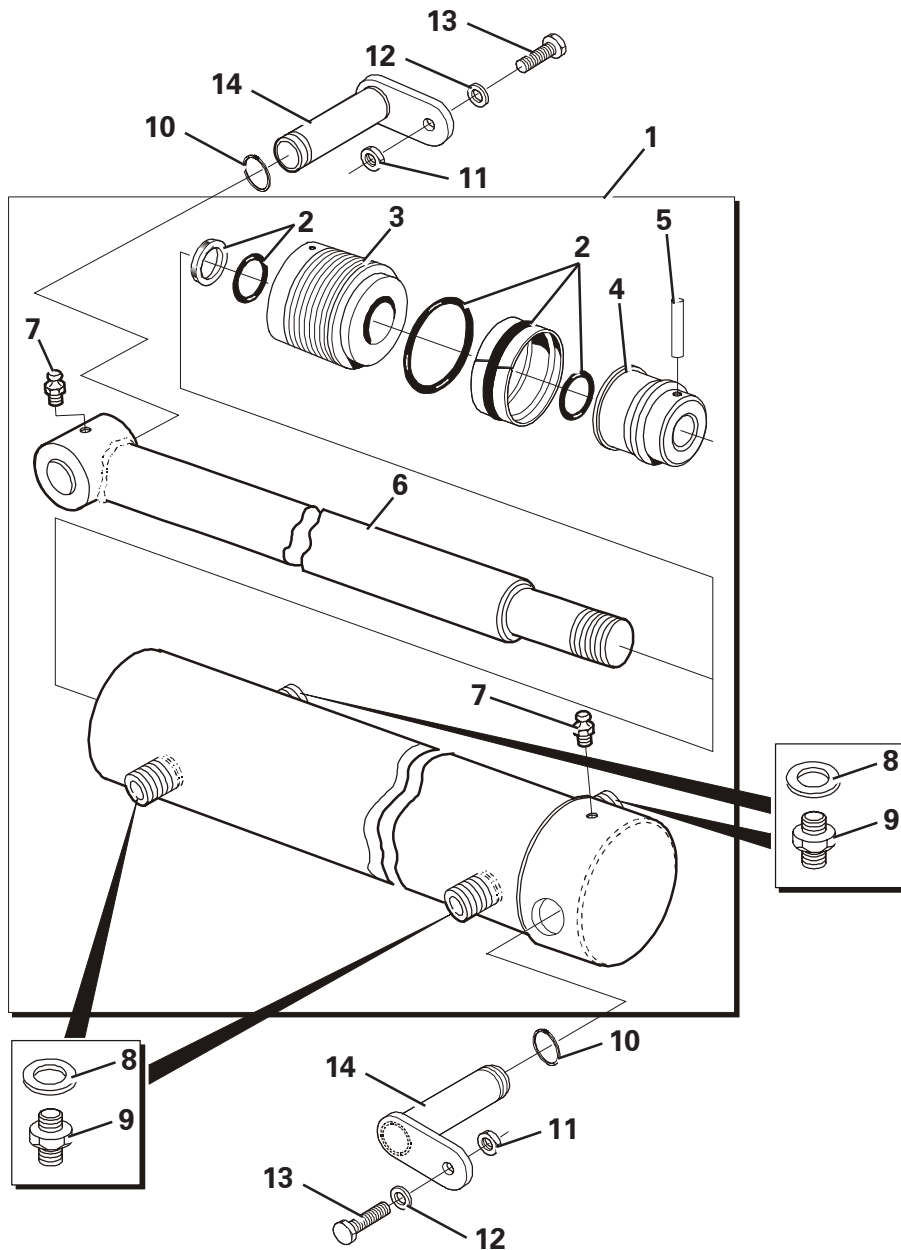
| Item | Part No. | Description | Qty | U/M |
|------|----------|------------------------|-----|-----|
| 1 | T100014 | TIPPING RAM | 1.0 | EA |
| 2 | T52723 | SEAL KIT | 1.0 | EA |
| 3 | T52720 | HEADBUSH | 1.0 | EA |
| 4 | T52721 | PISTON | 1.0 | EA |
| 5 | T52722 | SPRING TENSION PIN | 1.0 | EA |
| 6 | T52719 | ROD ASSEMBLY | 1.0 | EA |
| 7 | T13454 | STRAIGHT GREASE NIPPLE | 2.0 | EA |
| 8 | T5637 | BONDED SEAL | 4.0 | EA |
| 9 | T13606 | ADAPTOR | 2.0 | EA |
| 10 | T100098 | CIRCLIP | 2.0 | EA |
| 11 | T13064 | NUT | 2.0 | EA |
| 12 | T15819 | PLAIN WASHER | 2.0 | EA |
| 13 | T16505 | SET BOLT | 2.0 | EA |
| 14 | T100088 | PIVOT PIN | 2.0 | EA |
| 15 | T13907 | BLANKING PLUG | 2.0 | EA |



Tipping Ram Assembly L/H - Forward Tip

TIPPING RAM ASSEMBLY - R/H

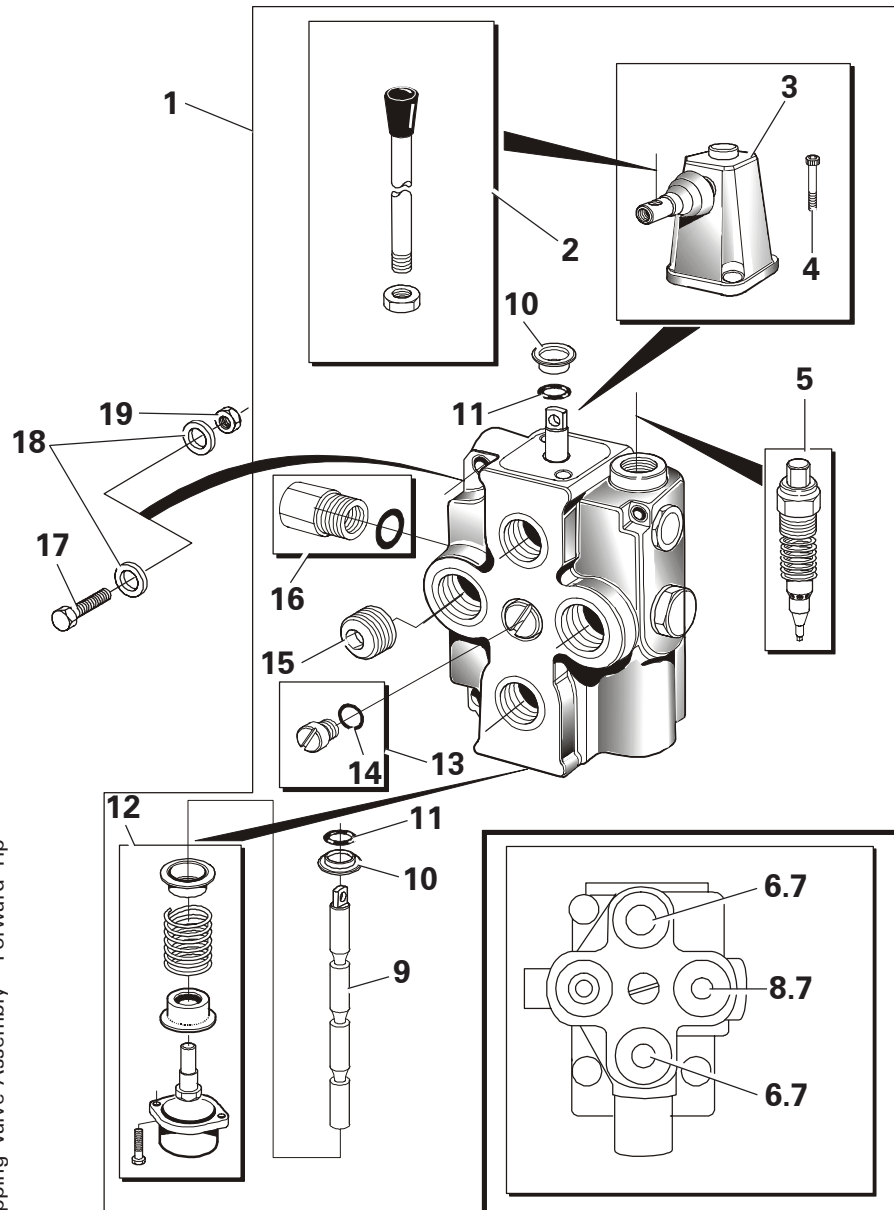
| Item | Part No. | Description | Qty | U/M |
|------|----------|------------------------|-----|-----|
| 1 | T100014 | TIPPING RAM | 1.0 | EA |
| 2 | T52723 | SEAL KIT | 1.0 | EA |
| 3 | T52720 | HEADBUSH | 1.0 | EA |
| 4 | T52721 | PISTON | 1.0 | EA |
| 5 | T52722 | SPRING TENSION PIN | 1.0 | EA |
| 6 | T52719 | ROD ASSEMBLY | 1.0 | EA |
| 7 | T13454 | STRAIGHT GREASE NIPPLE | 2.0 | EA |
| 8 | T5637 | BONDED SEAL | 4.0 | EA |
| 9 | T13606 | ADAPTOR | 4.0 | EA |
| 10 | T100098 | CIRCLIP | 2.0 | EA |
| 11 | T13064 | NUT | 2.0 | EA |
| 12 | T15819 | PLAIN WASHER | 2.0 | EA |
| 13 | T16505 | SET BOLT | 2.0 | EA |
| 14 | T100088 | PIVOT PIN | 2.0 | EA |



Tipping Ram Assembly R/H - Forward Tip

TIPPING VALVE ASSEMBLY

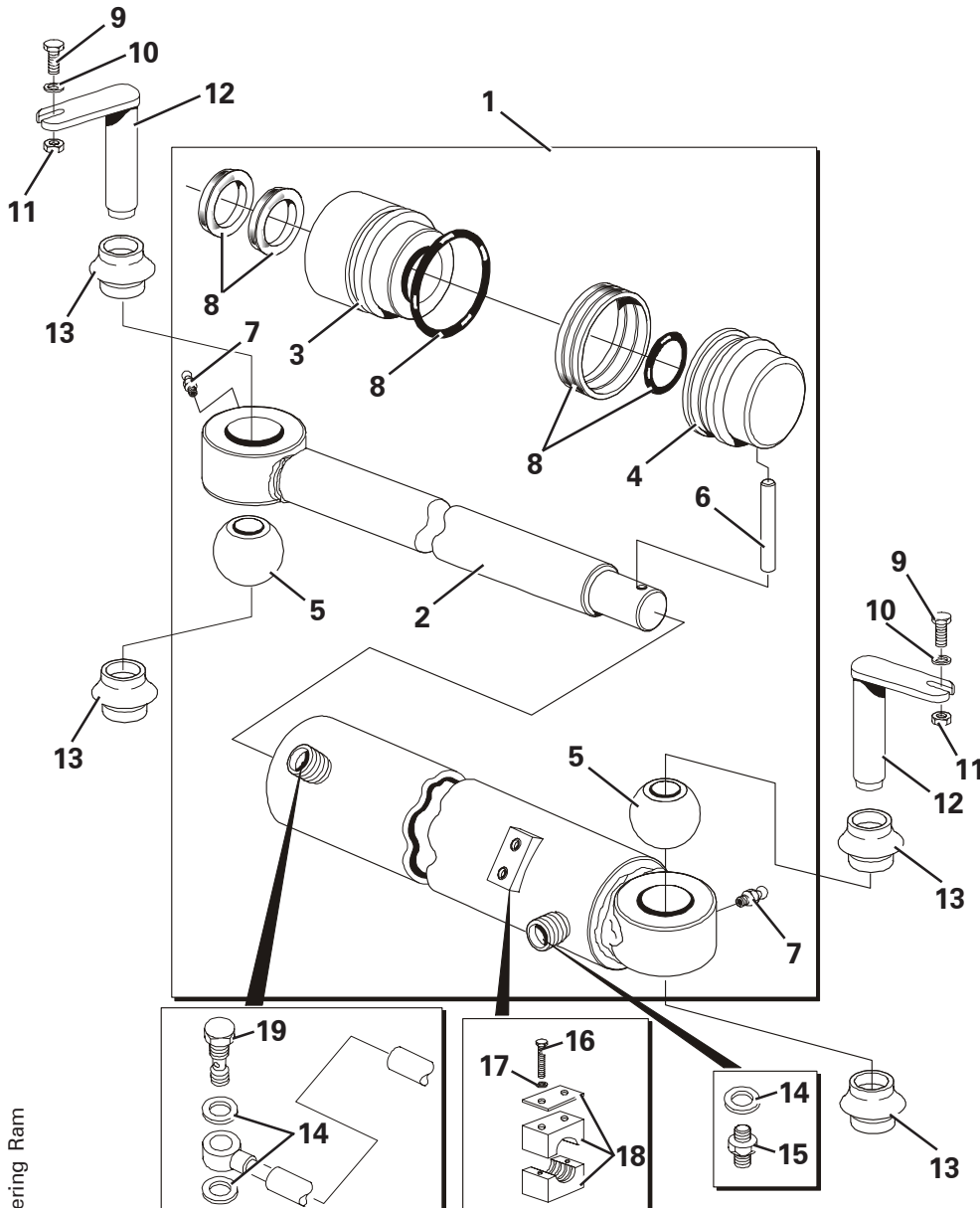
| Item | Part No. | Description | Qty | U/M |
|------|----------|----------------------|-----|-----|
| 1 | T100013 | TIPPING VALVE ASSY | 1.0 | EA |
| 2 | T52717 | LEVER ASSEMBLY | 1.0 | EA |
| 3 | T52711 | LEVER BASE | 1.0 | EA |
| 4 | T52712 | SOCKET SCREW | 2.0 | EA |
| 5 | T52674 | VALVE | 1.0 | EA |
| 6 | T52683 | ADAPTOR | 2.0 | EA |
| 7 | T5596 | HYDRAULIC SEAL | 3.0 | EA |
| 8 | T100465 | ADAPTOR | 1.0 | EA |
| 9 | T52714 | SPOOL | 1.0 | EA |
| 10 | T52713 | FLANGED WASHER | 2.0 | EA |
| 11 | T52677 | SEAL | 2.0 | EA |
| 12 | T52678 | CAP ASSEMBLY | 1.0 | EA |
| 13 | T52715 | CHECK VALVE ASSEMBLY | 1.0 | EA |
| 14 | T52681 | SEAL | 1.0 | EA |
| 15 | T52682 | PLUG | 1.0 | EA |
| 16 | T52679 | ADAPTOR | 1.0 | EA |
| 17 | T16501 | BOLT | 3.0 | EA |
| 18 | T15819 | PLAIN WASHER | 6.0 | EA |
| 19 | T13064 | NUT | 3.0 | EA |



Tipping Valve Assembly - Forward Tip

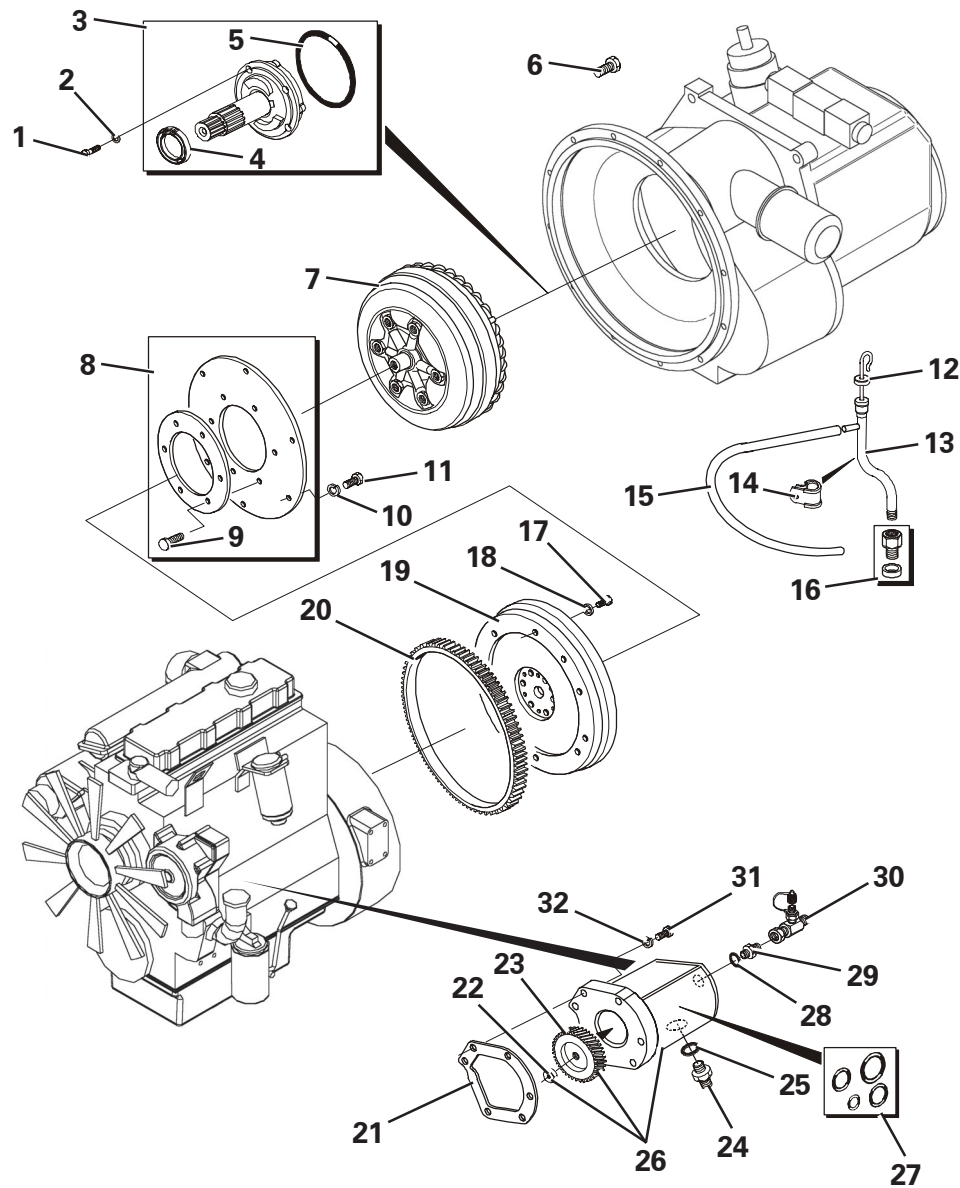
STEERING RAM ASSEMBLY

| Item | Part No. | Description | Qty | U/M |
|------|----------|------------------------|-----|-----|
| 1 | T100016 | STEER RAM | 1.0 | EA |
| 2 | T52718 | ROD | 1.0 | EA |
| 3 | T52539 | HEADBUSH | 1.0 | EA |
| 4 | T51746 | PISTON | 1.0 | EA |
| 5 | T2162 | SPHERICAL BEARING | 2.0 | EA |
| 6 | T50487 | TENSION PIN | 1.0 | EA |
| 7 | T13454 | STRAIGHT GREASE NIPPLE | 2.0 | EA |
| 8 | T52540 | SEAL KIT | 1.0 | EA |
| 9 | T16505 | SET BOLT | 2.0 | EA |
| 10 | T15819 | PLAIN WASHER | 2.0 | EA |
| 11 | T12762 | LOCKING NUT | 2.0 | EA |
| 12 | T100361 | PIVOT PIN | 2.0 | EA |
| 13 | T10160 | RUBBER DUST SEAL | 4.0 | EA |
| 14 | T5596 | HYDRAULIC SEAL | 3.0 | EA |
| 15 | T13936 | ADAPTOR | 1.0 | EA |
| 16 | T17155 | BOLT | 2.0 | EA |
| 17 | T10418 | SHAKEPROOF WASHER | 2.0 | EA |
| 18 | T100553 | PIPE CLAMP | 1.0 | EA |
| 19 | T52641 | BANJO BOLT | 1.0 | EA |



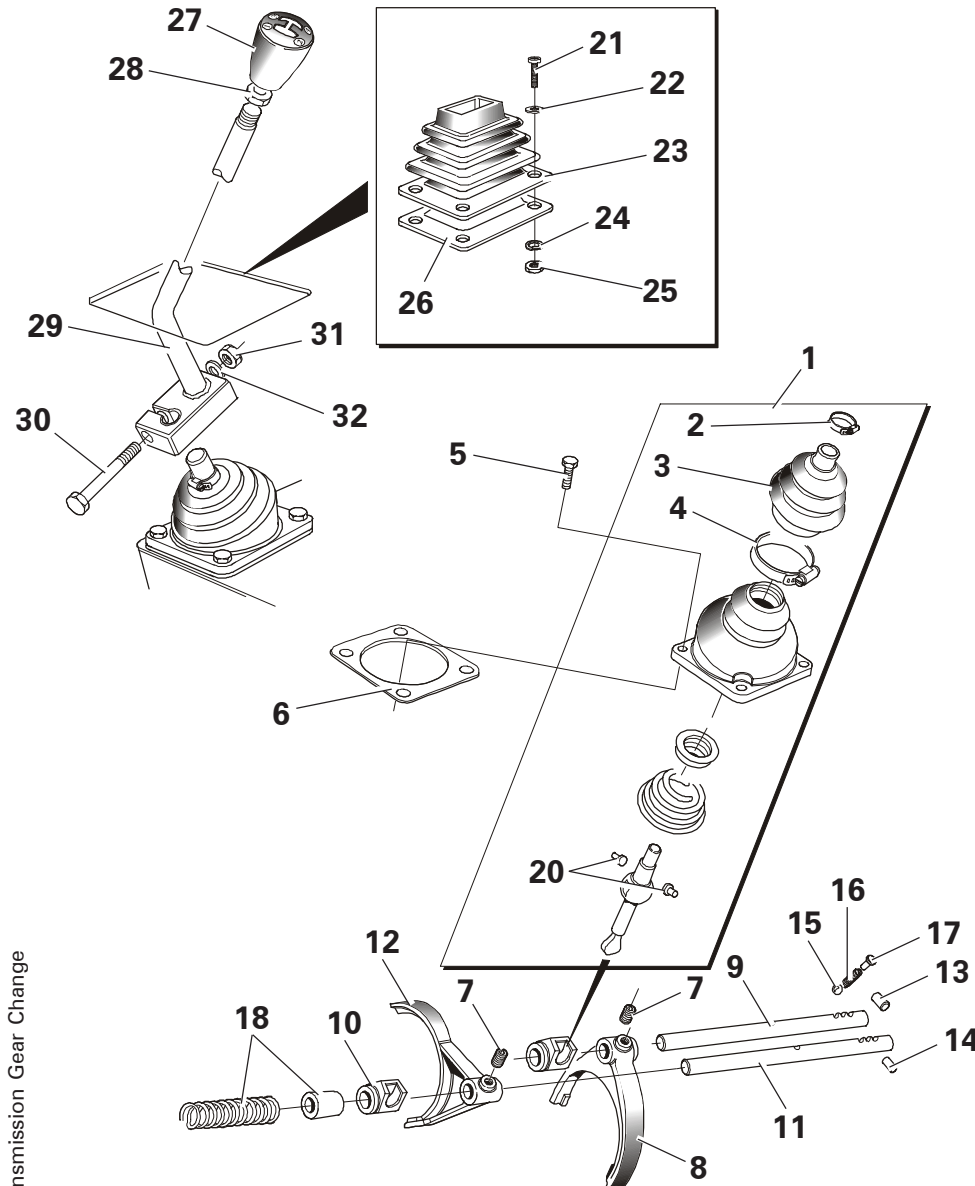
Steering Ram

TRANSMISSION DRIVE & HYD PUMP



| Item | Part No. | Description | Qty | U/M |
|------|----------|----------------------|------|-----|
| 1 | T1960 | BOLT | 4.0 | EA |
| 2 | T1959 | SEALING WASHER | 4.0 | EA |
| 3 | T2586 | OIL PUMP | 1.0 | EA |
| 4 | T52232 | OIL SEAL | 1.0 | EA |
| 5 | T2584 | RING-SEAL | 1.0 | EA |
| 6 | T16505 | SET BOLT | 12.0 | EA |
| 7 | T2632 | TORQUE CONVERTER | 1.0 | EA |
| 8 | T2631 | DRIVE PLATE KIT | 1.0 | EA |
| 9 | T50523 | SET SCREW | 6.0 | EA |
| 10 | T50524 | WASHER | 6.0 | EA |
| 11 | T50352 | BOLT | 6.0 | EA |
| 12 | T13333 | GEARBOX DIPSTICK | 1.0 | EA |
| 13 | T100412 | GEARBOX FILLER TUBE | 1.0 | EA |
| 14 | T9914 | HOSE CLIP | 1.0 | EA |
| 15 | T52572 | LEAK OFF PIPE | 1.0 | EA |
| 16 | T2619 | NUT C/W SEAL | 1.0 | EA |
| 17 | T52639 | BOLT | 6.0 | EA |
| 18 | T52638 | WASHER | 6.0 | EA |
| 19 | T52637 | FLYWHEEL | 1.0 | EA |
| 20 | T52636 | STARTER RING | 1.0 | EA |
| 21 | T52567 | GASKET | 1.0 | EA |
| 22 | T52645 | NUT | 1.0 | EA |
| 23 | T52644 | HELICAL GEAR | 1.0 | EA |
| 24 | T12240 | INLET ADAPTOR | 1.0 | EA |
| 25 | T 9606 | O RING | 1.0 | EA |
| 26 | T100003 | GEAR PUMP | 1.0 | EA |
| 27 | T52643 | SEAL KIT | 1.0 | EA |
| 28 | T6935 | O RING | 1.0 | EA |
| 29 | T100464 | ADAPTOR | 1.0 | EA |
| 30 | T100516 | HYDRAULIC TEST POINT | 1.0 | EA |
| 31 | T14277 | BOLT | 5.0 | EA |
| 32 | T12972 | SPRING WASHER | 5.0 | EA |

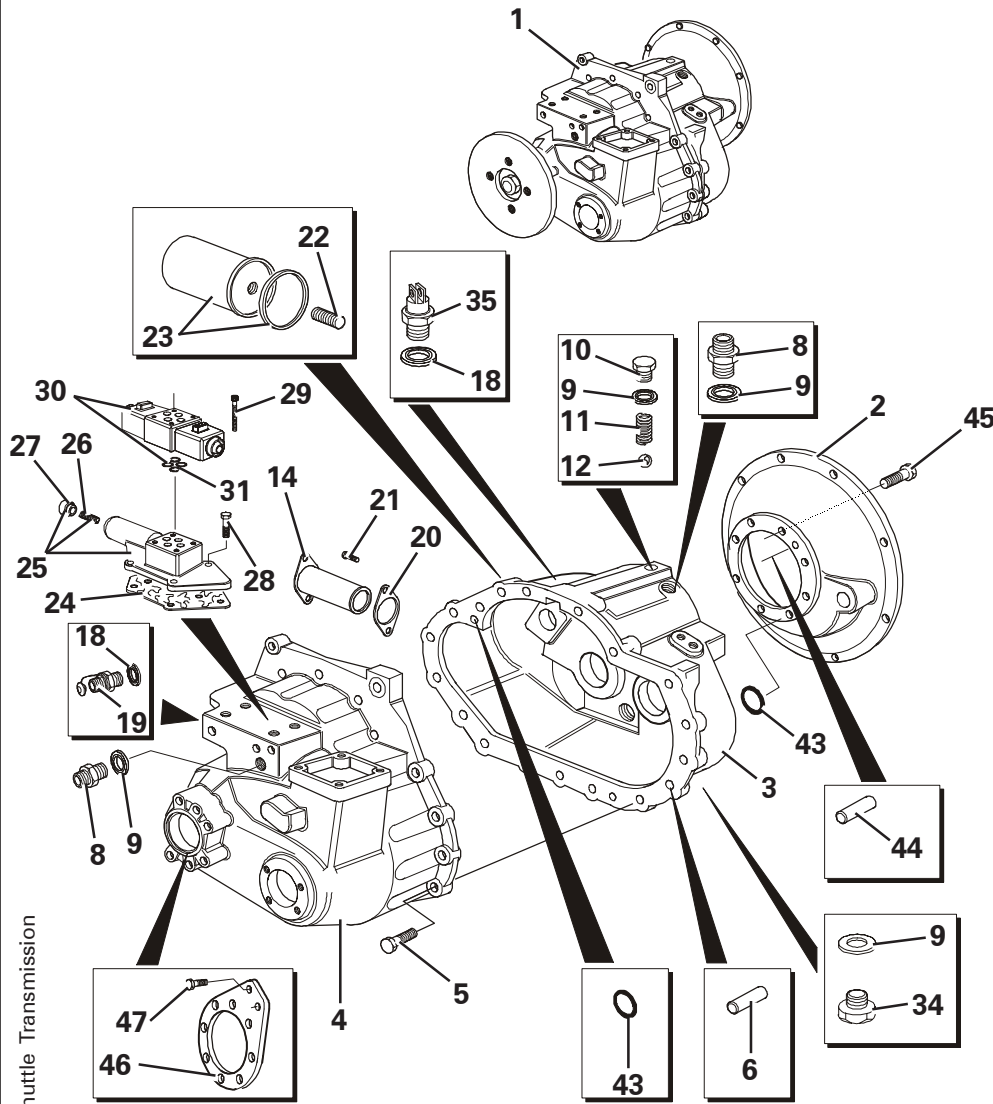
TRANSMISSION - GEAR CHANGE



| Item | Part No. | Description | Qty | U/M |
|------|----------|------------------------|-----|-----|
| 1 | T2534 | GEAR LEVER ASSEMBLY | 1.0 | EA |
| 2 | T2533 | CLIP | 1.0 | EA |
| 3 | T2532 | GAITER | 1.0 | EA |
| 4 | T2531 | CLIP | 1.0 | EA |
| 5 | T50330 | BOLT | 4.0 | EA |
| 6 | T50324 | GASKET | 1.0 | EA |
| 7 | T50506 | SCREW | 4.0 | EA |
| 8 | T50325 | SELECTOR FORK | 1.0 | EA |
| 9 | T51878 | SELECTOR SHAFT | 1.0 | EA |
| 10 | T50327 | SELECTOR BLOCK | 2.0 | EA |
| 11 | T51878 | SELECTOR SHAFT | 1.0 | EA |
| 12 | T50328 | SELECTOR FORK | 1.0 | EA |
| 13 | T2522 | ROLLER | 1.0 | EA |
| 14 | T50329 | PLUG | 1.0 | EA |
| 15 | T2520 | BALL | 2.0 | EA |
| 16 | T50388 | DETENT SPRING | 2.0 | EA |
| 17 | T50505 | DENTENT PLUG | 2.0 | EA |
| 18 | T52199 | SPRING | 1.0 | EA |
| 20 | T50252 | RETAINING PIN | 2.0 | EA |
| 21 | T16477 | BOLT | 4.0 | EA |
| 22 | T13911 | FLAT WASHER | 4.0 | EA |
| 23 | T100288 | GEAR LEVER GAITER | 1.0 | EA |
| 24 | T14837 | SPRING WASHER | 4.0 | EA |
| 25 | T16481 | NYLOC NUT | 4.0 | EA |
| 26 | T100456 | GAITER RETAINING PLATE | 1.0 | EA |
| 27 | T3694 | BLACK MOULDED KNOB | 1.0 | EA |
| 28 | T12509 | NUT | 1.0 | EA |
| 29 | T100219 | GEAR CHANGE LEVER | 1.0 | EA |
| 30 | T6723 | BOLT | 1.0 | EA |
| 31 | T6725 | NUT | 1.0 | EA |
| 32 | T6724 | SPRING WASHER | 1.0 | EA |

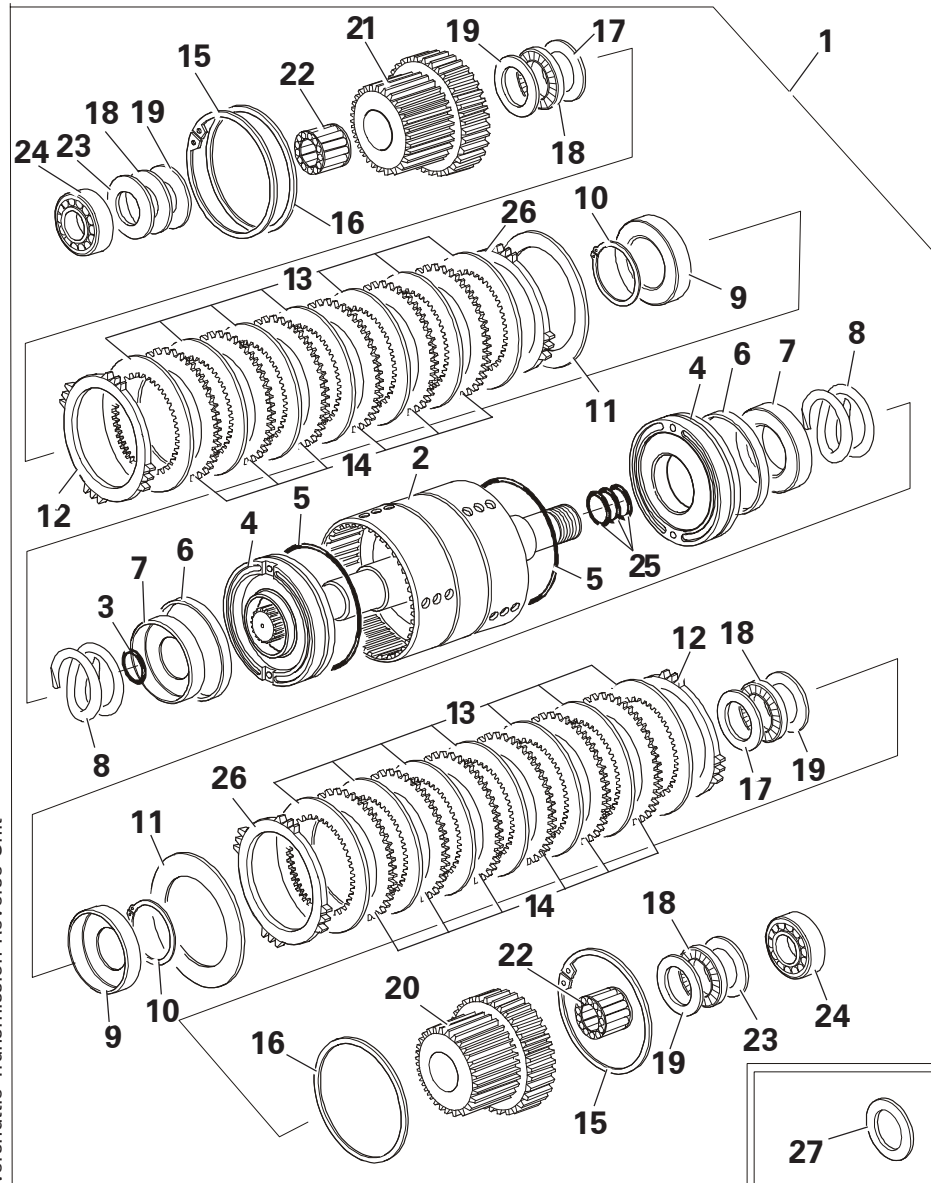
Transmission Gear Change

TRANSMISSION - EXTERNAL



| Item | Part No. | Description | Qty | U/M |
|------|----------|-------------------------|------|-----|
| 1 | T52478 | GEARBOX | 1.0 | EA |
| 2 | T52642 | FLYWHEEL HOUSING | 1.0 | EA |
| 3 | T52088 | FRONT CASING | 1.0 | EA |
| 4 | T52405 | CASE | 1.0 | EA |
| 5 | T51691 | SET SCREW | 18.0 | EA |
| 6 | T50339 | DOWEL | 2.0 | EA |
| 8 | T1928 | ADAPTOR | 2.0 | EA |
| 9 | T2613 | SEAL | 5.0 | EA |
| 10 | T2612 | PLUG | 1.0 | EA |
| 11 | T2611 | SPRING | 1.0 | EA |
| 12 | T2610 | BALL | 2.0 | EA |
| 14 | T2608 | SUCTION STRAINER | 1.0 | EA |
| 18 | T2604 | SEAL | 2.0 | EA |
| 19 | T50511 | PRESSURE POINT | 1.0 | EA |
| 20 | T2602 | GASKET | 1.0 | EA |
| 21 | T50344 | BOLT | 2.0 | EA |
| 22 | T51630 | FILTER ADAPTOR | 1.0 | EA |
| 23 | T52450 | TRANSMISSION OIL FILTER | 1.0 | EA |
| 24 | T2599 | GASKET | 1.0 | EA |
| 25 | T2598 | ADAPTOR BLOCK ASSEMBLY | 1.0 | EA |
| 26 | T51607 | SPRING | 1.0 | EA |
| 27 | T51606 | PLUG | 1.0 | EA |
| 28 | T50345 | BOLT | 4.0 | EA |
| 29 | T50570 | CAP SCREW | 4.0 | EA |
| 30 | T50512 | SOLENOID VALVE | 1.0 | EA |
| 31 | T51877 | SEAL KIT | 1.0 | EA |
| 34 | T2612 | PLUG | 1.0 | EA |
| 35 | T50349 | OIL PRESSURE SWITCH | 1.0 | EA |
| 43 | T1931 | 'O' RING | 2.0 | EA |
| 44 | T2615 | DOWEL | 2.0 | EA |
| 45 | T50593 | SCREW | 12.0 | EA |
| 46 | T52406 | BRACKET | 1.0 | EA |
| 47 | T2256 | BOLT | 7.0 | EA |

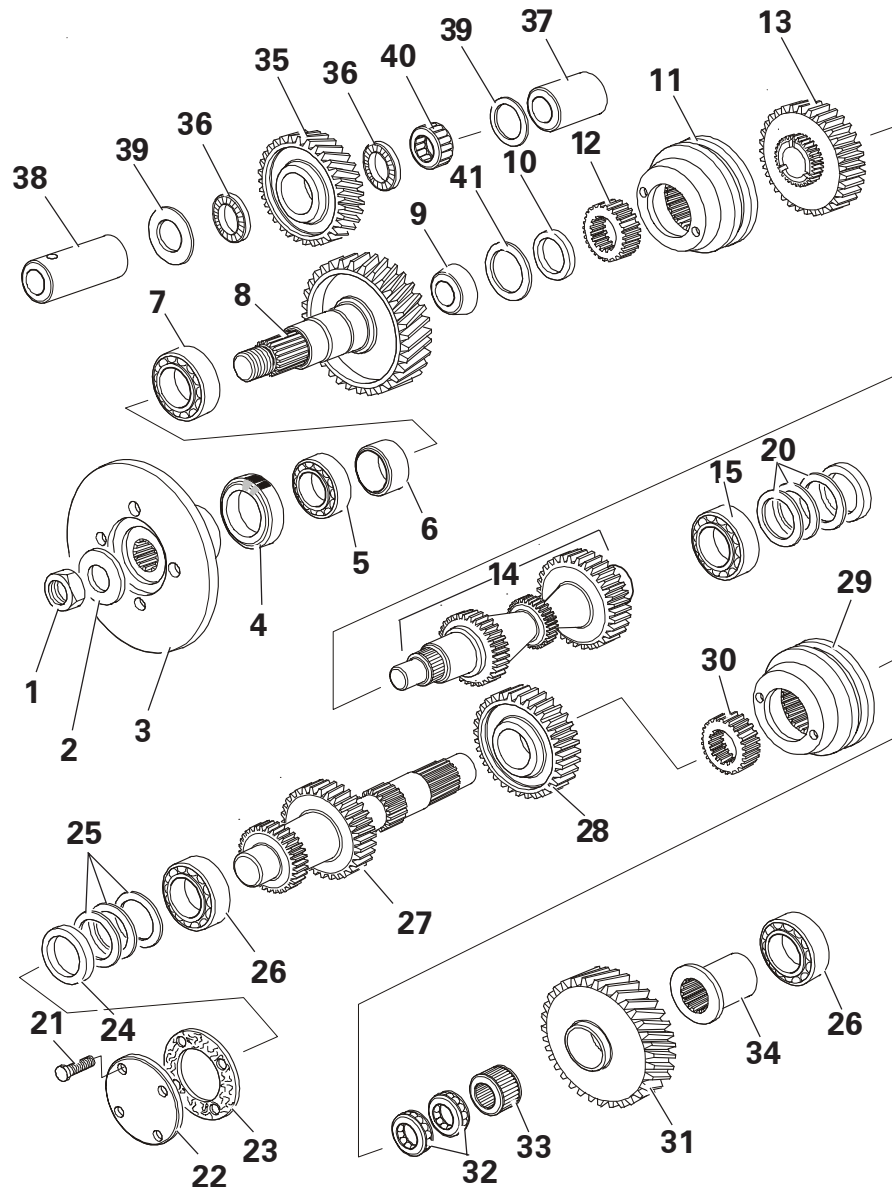
TRANSMISSION - REVERSE UNIT



| Item | Part No. | Description | Qty | U/M |
|------|------------|----------------------|------|-----|
| 1 | T51592 | REVERSER ASSY | 1.0 | EA |
| 2 | T51954 | CLUTCH HOUSING | 1.0 | EA |
| 3 | T1725 | 'O' RING | 2.0 | EA |
| 4 | T51950 | PISTON | 2.0 | EA |
| 5 | T2498 | O RING | 2.0 | EA |
| 6 | T50316 | LINER | 2.0 | EA |
| 7 | T1722 | OIL BAFFLE | 2.0 | EA |
| 8 | T1711 | SPRING | 2.0 | EA |
| 9 | T1723 | SPRING RETAINER | 2.0 | EA |
| 10 | T1710 | CIRCLIP | 2.0 | EA |
| 11 | T51951 | DISC SPRING | 2.0 | EA |
| 12 | T50318 | PRESSURE PLATE | 2.0 | EA |
| 13 | T2503 | FRICITION PLATE | 12.0 | EA |
| 14 | T1720 | COUNTER PLATE | 10.0 | EA |
| 15 | T1709 | CIRCLIP | 2.0 | EA |
| 16 | T50317 | SHIM | A/R | EA |
| 17 | T52152 | THRUST WASHER | 2.0 | EA |
| 18 | Not fitted | | | |
| 19 | T2512 | THRUST WASHER | 4.0 | EA |
| 20 | T1715 | GEAR & PLATE ASSY | 1.0 | EA |
| 21 | T1716 | GEAR & PLATE ASSY | 1.0 | EA |
| 22 | T2510 | BEARING | 2.0 | EA |
| 23 | T2514 | THRUST WASHER | 2.0 | EA |
| 24 | T51683 | TAPER ROLLER BEARING | 2.0 | EA |
| 25 | T2516 | SEAL RING | 4.0 | EA |
| 26 | T52252 | PRESSURE PLATE | 2.0 | EA |
| 27 | T51685 | SHIM KIT | 1.0 | EA |

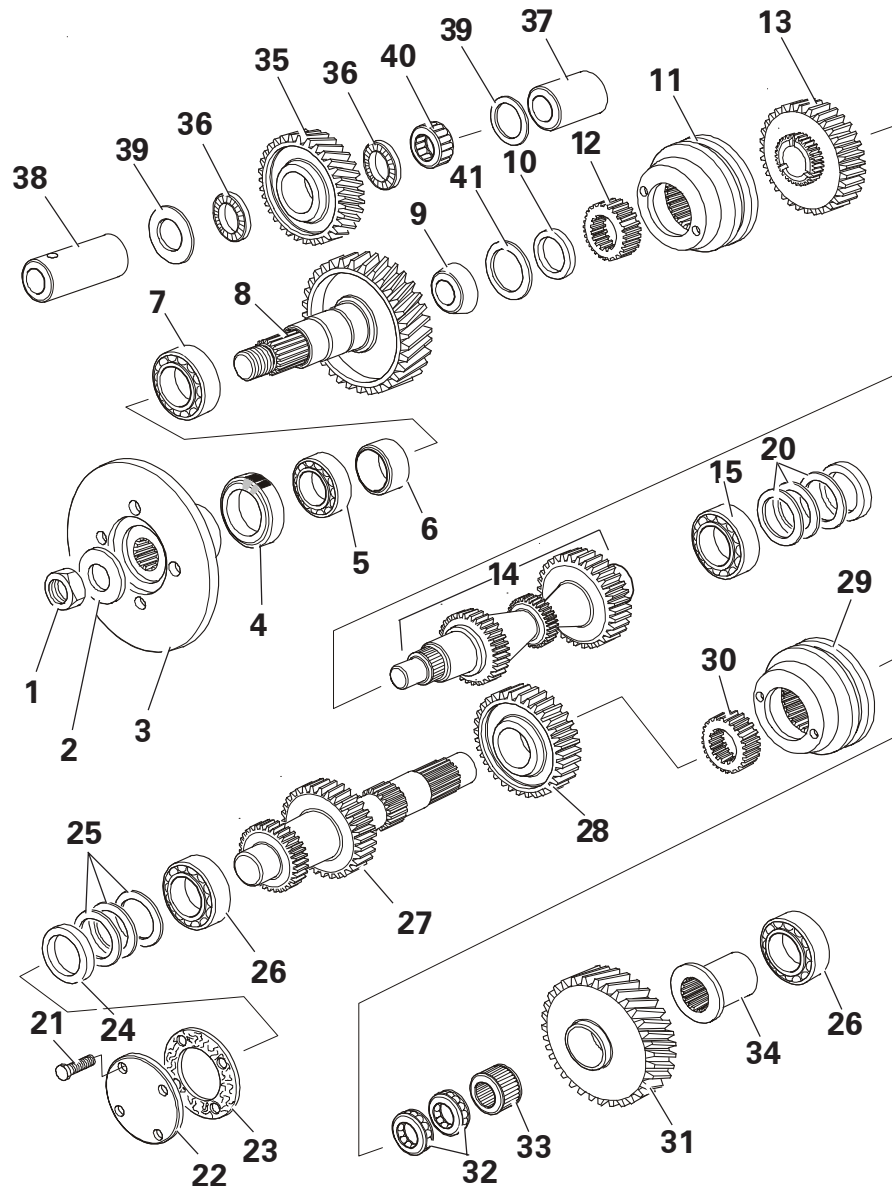
Powershuttle Transmission Reverse Unit

TRANSMISSION - INTERNAL



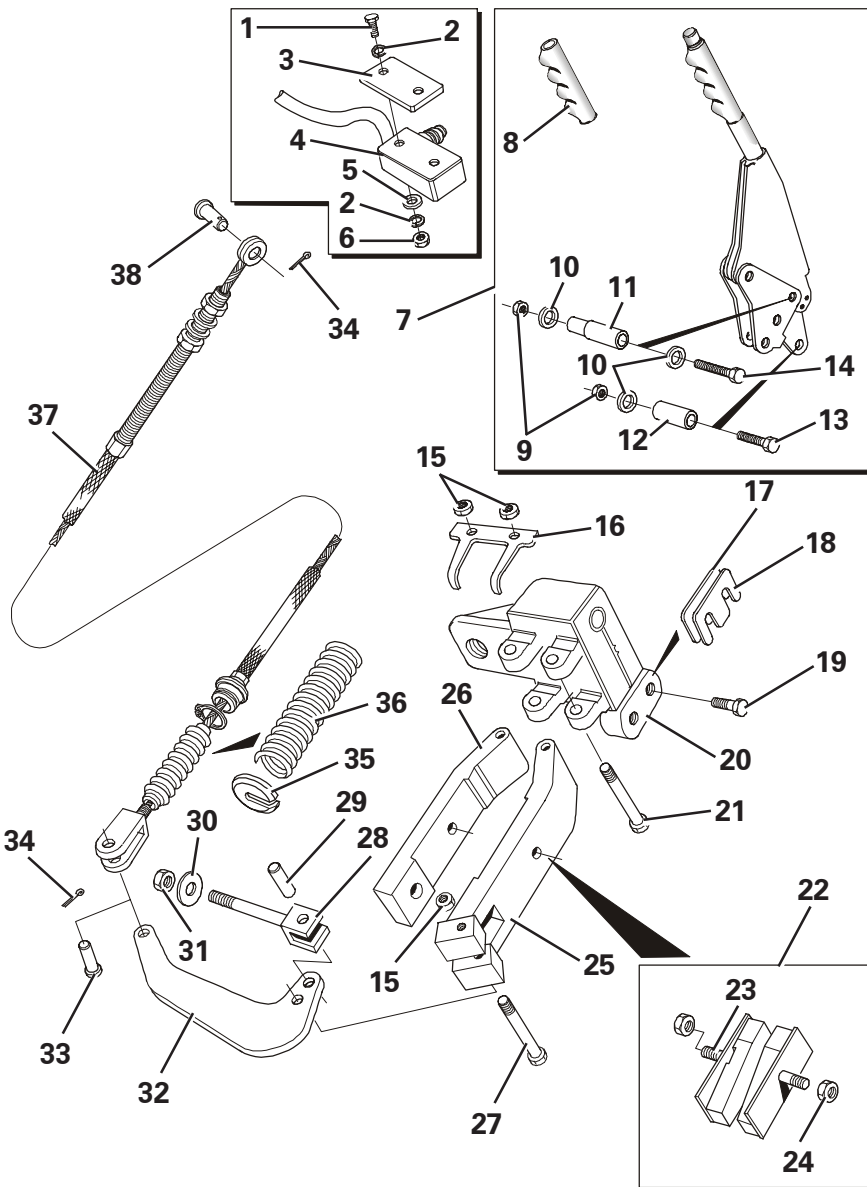
| Item | Part No. | Description | Qty | U/M |
|------|----------|-----------------------|-----|-----|
| 1 | T50662 | STAKE NUT | 1.0 | EA |
| 2 | T2581 | WASHER | 1.0 | EA |
| 3 | T50663 | DISC FLANGE | 1.0 | EA |
| 4 | T2579 | OIL SEAL | 1.0 | EA |
| 5 | T50515 | BEARING | 1.0 | EA |
| 6 | T51577 | SPACER KIT | 1.0 | EA |
| 7 | T50393 | BEARING | 1.0 | EA |
| 8 | T2575 | GEAR | 1.0 | EA |
| 9 | T50516 | PILOT BEARING | 1.0 | EA |
| 10 | T51692 | SPACER | 1.0 | EA |
| 11 | T2572 | SYNCHRONISER ASSEMBLY | 1.0 | EA |
| 12 | T2571 | SLEEVE | 1.0 | EA |
| 13 | T2570 | GEAR | 1.0 | EA |
| 14 | T2569 | MAINSHAFT | 1.0 | EA |
| 15 | T2568 | BEARING | 1.0 | EA |
| 20 | T1705 | SHIM KIT | 1.0 | EA |
| 21 | T50517 | BOLT | 4.0 | EA |
| 22 | T52202 | END COVER | 1.0 | EA |
| 23 | T51947 | GASKET | 1.0 | EA |

TRANSMISSION - INTERNAL



| Item | Part No. | Description | Qty | U/M |
|------|----------|-----------------------|-----|-----|
| 24 | T51689 | SPACER | 1.0 | EA |
| 25 | T51690 | SHIM KIT | 1.0 | EA |
| 26 | T51688 | TAPER ROLLER BEARING | 2.0 | EA |
| 27 | T2548 | LAYSHAFT | 1.0 | EA |
| 28 | T2547 | GEAR | 1.0 | EA |
| 29 | T2572 | SYNCHRONISER ASSEMBLY | 1.0 | EA |
| 30 | T2545 | SLEEVE | 1.0 | EA |
| 31 | T2544 | GEAR | 1.0 | EA |
| 32 | T2543 | BEARING | 2.0 | EA |
| 33 | T2542 | BEARING | 1.0 | EA |
| 34 | T2541 | SPACER | 1.0 | EA |
| 35 | T50332 | IDLER GEAR | 1.0 | EA |
| 36 | T50333 | BEARING | 2.0 | EA |
| 37 | T50334 | SPACER | 1.0 | EA |
| 38 | T50392 | IDLER SHAFT | 1.0 | EA |
| 39 | T50335 | WASHER | 4.0 | EA |
| 40 | T2535 | BEARING | 1.0 | EA |
| 41 | T1935 | SPACER | 1.0 | EA |

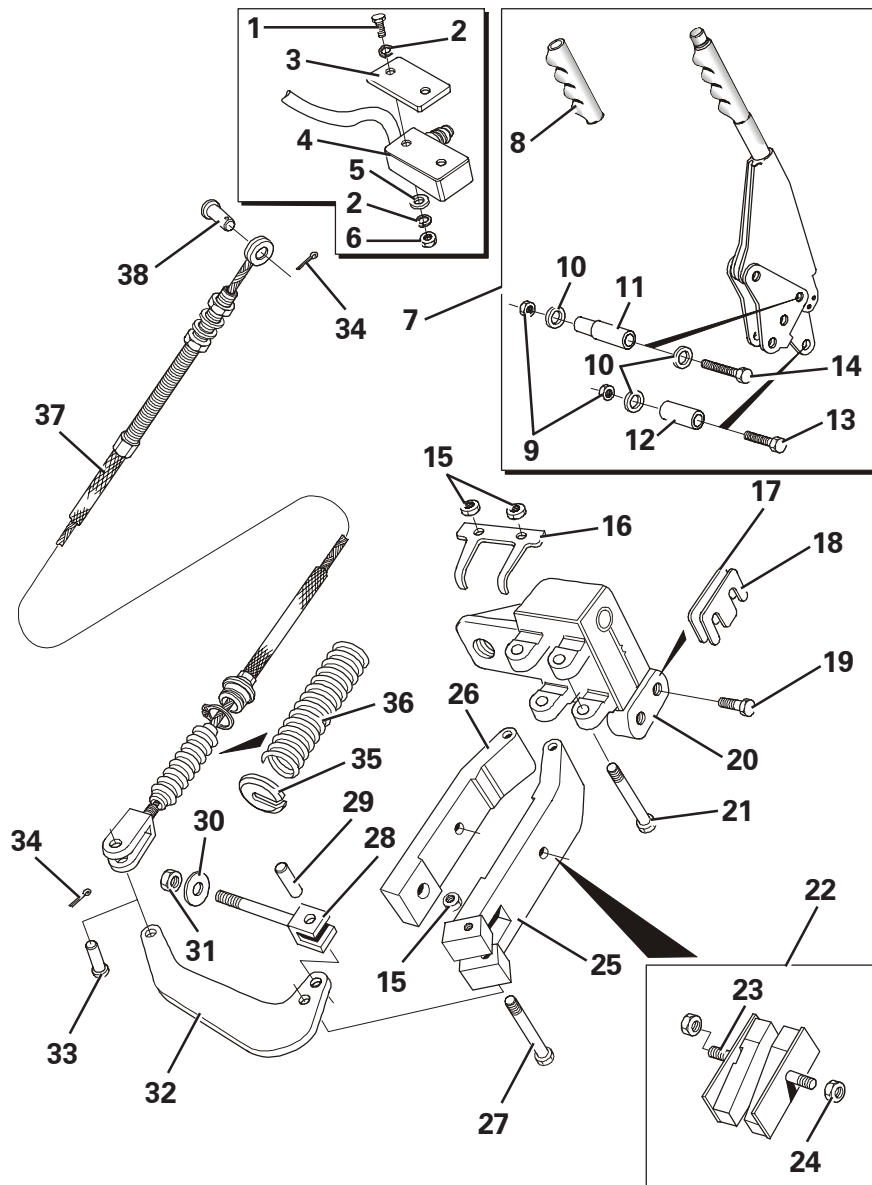
HANDBRAKE ASSEMBLY



| Item | Part No. | Description | Qty | U/M |
|------|----------|-------------------|-----|-----|
| 1 | T13321 | SET SCREW | 2.0 | EA |
| 2 | T11439 | SPRING WASHER | 4.0 | EA |
| 3 | T13289 | BACKING PLATE | 1.0 | EA |
| 4 | T100223 | MICRO SWITCH | 1.0 | EA |
| 5 | T11440 | WASHER | 2.0 | EA |
| 6 | T11447 | NUT | 2.0 | EA |
| 7 | T100236 | HANDBRAKE LEVER | 1.0 | EA |
| 8 | T52661 | GRIP | 1.0 | EA |
| 9 | T13457 | NYLOC NUT | 2.0 | EA |
| 10 | T9345 | WASHER | 3.0 | EA |
| 11 | T52663 | SHOULDERED SPACER | 1.0 | EA |
| 12 | T52662 | SPACER | 1.0 | EA |
| 13 | T17157 | BOLT | 1.0 | EA |
| 14 | T2468 | BOLT | 1.0 | EA |
| 15 | T2466 | PHILIDAS NUT | 3.0 | EA |
| 16 | T2471 | RELEASE SPRING | 1.0 | EA |
| 17 | T1597 | SHIM (0.5MM) | A/R | EA |
| 18 | T1596 | SHIM (1.5MM) | A/R | EA |
| 19 | T1602 | BOLT | 2.0 | EA |
| 20 | T51401 | BODY | 1.0 | EA |

Handbrake Assembly - 5-7 Tonne

HANDBRAKE ASSEMBLY

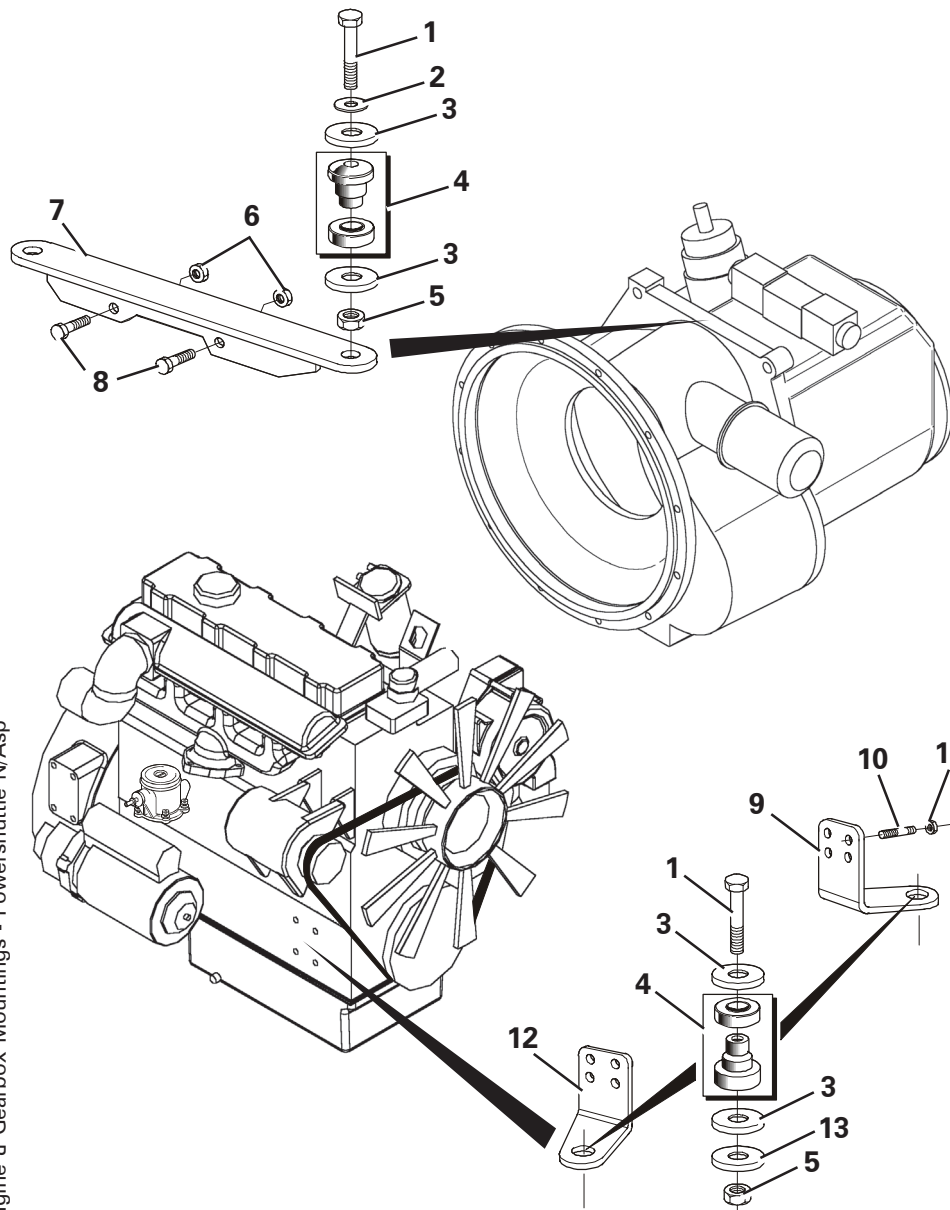


| Item | Part No. | Description | Qty | U/M |
|------|----------|---------------------|-----|-----|
| 21 | T51400 | BOLT | 2.0 | EA |
| 22 | T1600 | DISC PAD KIT | 1.0 | EA |
| 23 | T51398 | BOLT | 2.0 | EA |
| 24 | T2457 | PHILIDAS NUT | 2.0 | EA |
| 25 | T51403 | ARM ADJUSTING | 1.0 | EA |
| 26 | T51399 | ARM ADJUSTING | 1.0 | EA |
| 27 | T2232 | ANCHOR BOLT | 1.0 | EA |
| 28 | T50295 | PULL ROD | 1.0 | EA |
| 29 | T51402 | PIN PIVOT | 1.0 | EA |
| 30 | T50296 | WASHER | 1.0 | EA |
| 31 | T50297 | NUT | 1.0 | EA |
| 32 | T51397 | LEVER | 1.0 | EA |
| 33 | T7499 | CLEVIS PIN | 1.0 | EA |
| 34 | T6702 | SPLIT PIN | 2.0 | EA |
| 35 | T100471 | SPRING RETAINER | 1.0 | EA |
| 36 | T100472 | CABLE RETURN SPRING | 1.0 | EA |
| 37 | T100270 | HANDBRAKE CABLE | 1.0 | EA |
| 38 | T7044 | CLEVIS PIN | 1.0 | EA |

Handbrake Assembly - 5-7 Tonne

ENGINE & GEARBOX MOUNTINGS

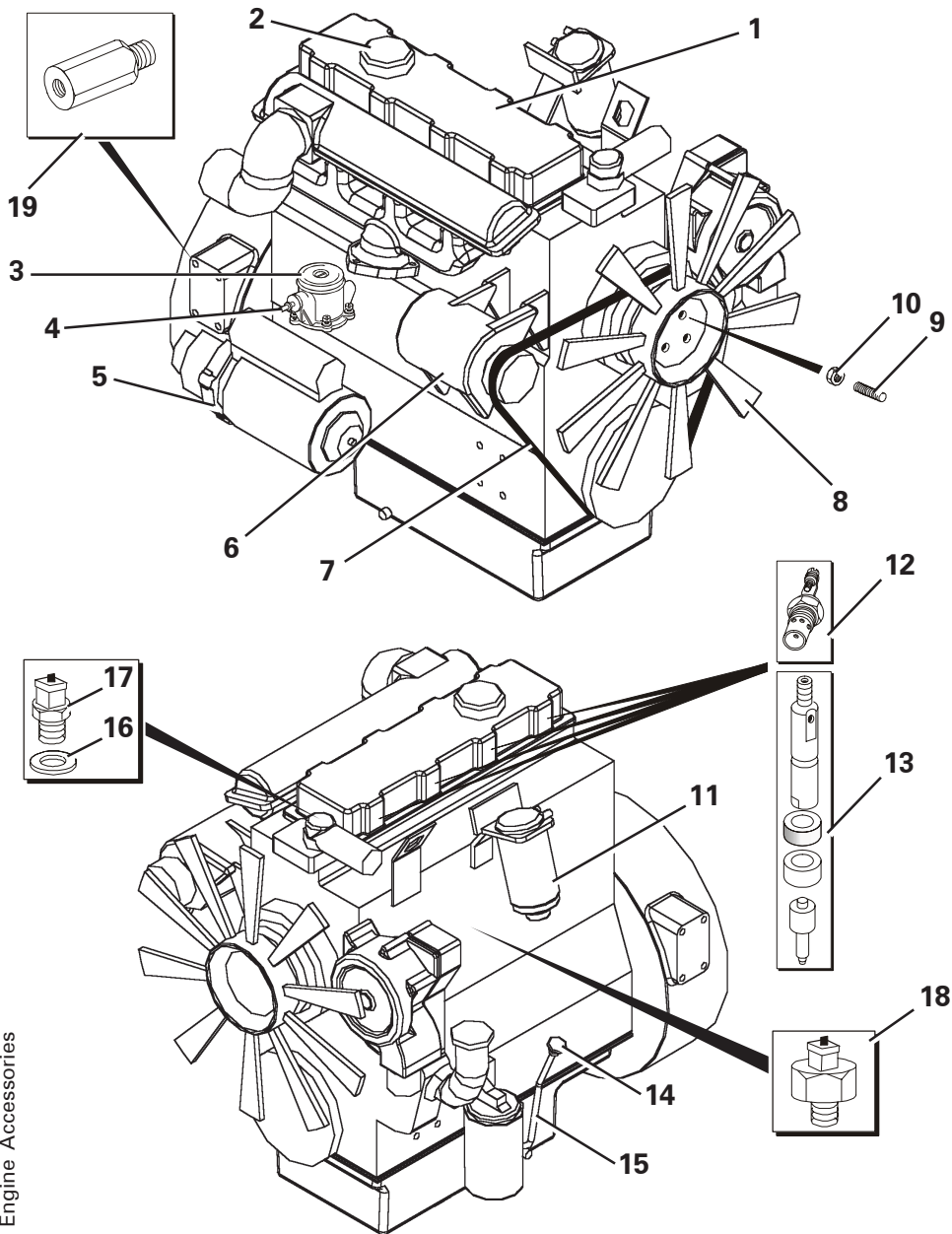
| Item | Part No. | Description | Qty | U/M |
|------|----------|---------------------|-----|-----|
| 1 | T20615 | BOLT | 4.0 | EA |
| 2 | T7647 | WASHER | 4.0 | EA |
| 3 | T100303 | PAD SPACER | 8.0 | EA |
| 4 | T100002 | ENGINE MOUNTING | 4.0 | EA |
| 5 | T14910 | NUT | 4.0 | EA |
| 6 | T13437 | PHILIDAS NUT | 2.0 | EA |
| 7 | T100114 | GEARBOX MOUNTING | 1.0 | EA |
| 8 | T9072 | BOLT | 2.0 | EA |
| 9 | T100058 | ENGINE MOUNTING R/H | 1.0 | EA |
| 10 | T52565 | STUD | 8.0 | EA |
| 11 | T52566 | NUT | 8.0 | EA |
| 12 | T100060 | ENGINE MOUNTING L/H | 1.0 | EA |
| 13 | T100815 | HEAVY DUTY WASHER | 2.0 | EA |



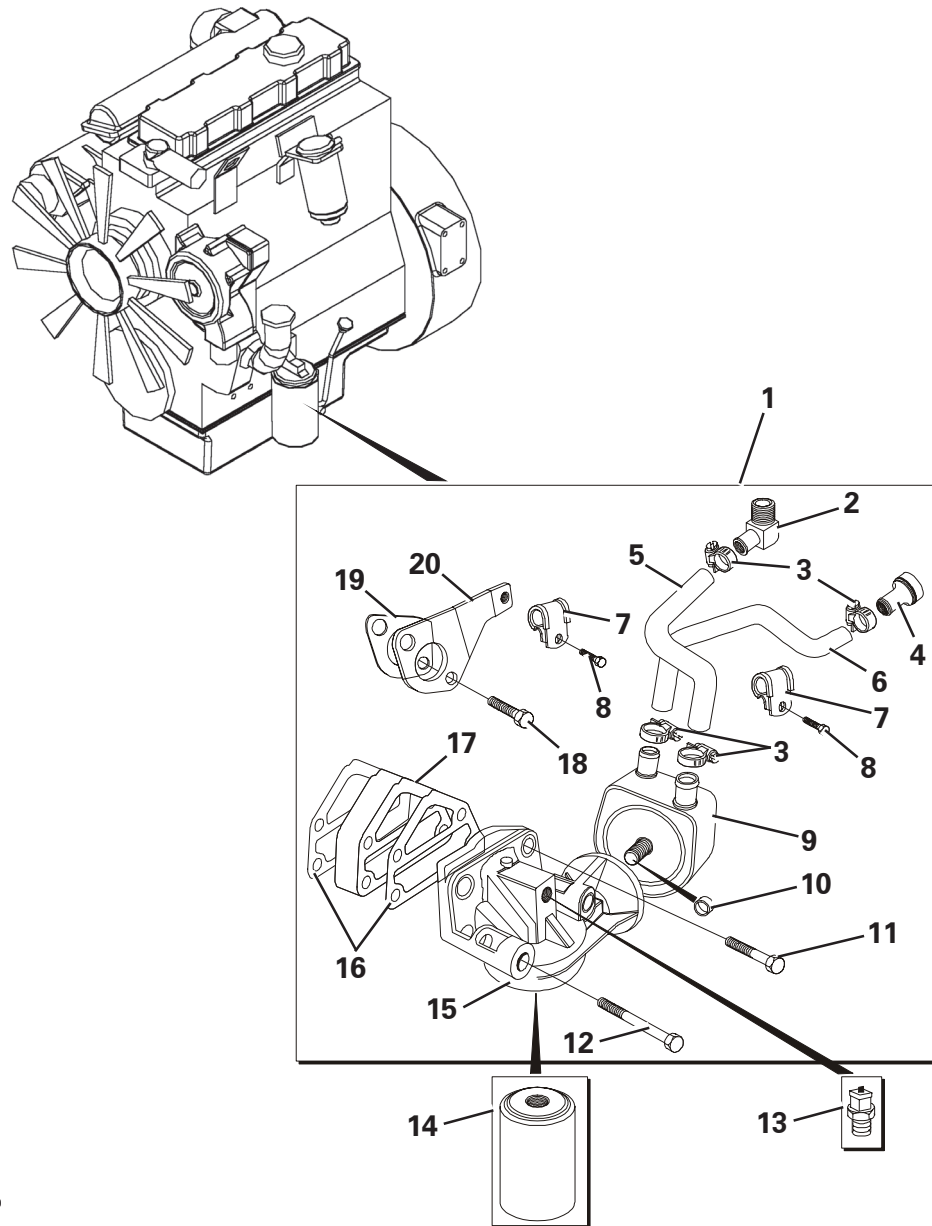
Engine & Gearbox Mountings - Powershuttle N/Asp

ENGINE - ACCESSORIES

| Item | Part No. | Description | Qty | U/M |
|------|----------|---------------------|-----|-----|
| 1 | T100000 | ENGINE | 1.0 | EA |
| 2 | T52575 | OIL FILLER CAP | 1.0 | EA |
| 3 | T52573 | FUEL LIFT PUMP | 1.0 | EA |
| 4 | T13735 | FUEL PUMP CONNECTOR | 1.0 | EA |
| 5 | T52560 | STARTER MOTOR | 1.0 | EA |
| 6 | T52561 | ALTERNATOR | 1.0 | EA |
| 7 | T52562 | BELT | 1.0 | EA |
| 8 | T52563 | FAN | 1.0 | EA |
| 9 | T52568 | STUD | 4.0 | EA |
| 10 | T52569 | NUT | 4.0 | EA |
| 11 | T52241 | FUEL FILTER | 1.0 | EA |
| 12 | T52574 | GLOW PLUG | 4.0 | EA |
| 13 | T52578 | INJECTOR | 4.0 | EA |
| 14 | T52576 | DIPSTICK | 1.0 | EA |
| 15 | T52577 | DIPSTICK TUBE | 1.0 | EA |
| 16 | T2744 | DOWTY WASHER | 1.0 | EA |
| 17 | T50740 | ENGINE TEMP. SWITCH | 1.0 | EA |
| 18 | T52640 | FUEL SENDER | 1.0 | EA |
| 19 | T100378 | CLAMP SPACER | 1.0 | EA |



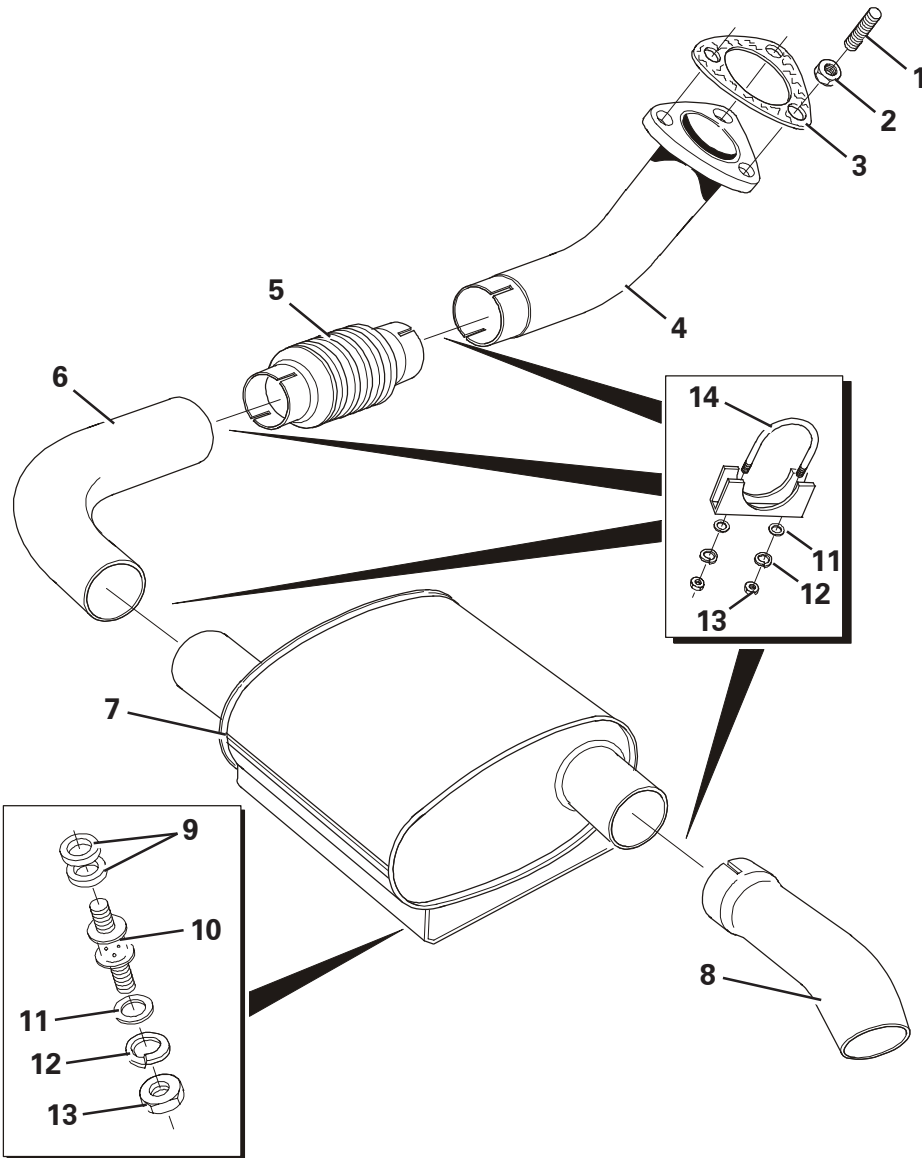
ENGINE - OIL COOLER



| Item | Part No. | Description | Qty | U/M |
|------|----------|-----------------------|-----|-----|
| 1 | KIT 229 | ENGINE OIL COOLER KIT | 1.0 | EA |
| 2 | T52587 | ELBOW | 1.0 | EA |
| 3 | T52597 | CLIP | 4.0 | EA |
| 4 | T52584 | ADAPTOR | 1.0 | EA |
| 5 | T52583 | HOSE | 1.0 | EA |
| 6 | T52585 | HOSE | 1.0 | EA |
| 7 | T52594 | PIPE CLIP | 2.0 | EA |
| 8 | T52591 | BOLT | 2.0 | EA |
| 9 | T52581 | COOLER | 1.0 | EA |
| 10 | T52595 | SEAL | 1.0 | EA |
| 11 | T52586 | BOLT | 2.0 | EA |
| 12 | T52592 | BOLT | 2.0 | EA |
| 13 | T50532 | PRESSURE SWITCH | 1.0 | EA |
| 14 | T2486 | OIL FILTER | 1.0 | EA |
| 15 | T52580 | HEAD | 1.0 | EA |
| 16 | T52593 | GASKET | 2.0 | EA |
| 17 | T52579 | ADAPTOR | 1.0 | EA |
| 18 | T52623 | BOLT | 2.0 | EA |
| 19 | T52596 | GASKET | 1.0 | EA |
| 20 | T52582 | BRACKET | 1.0 | EA |

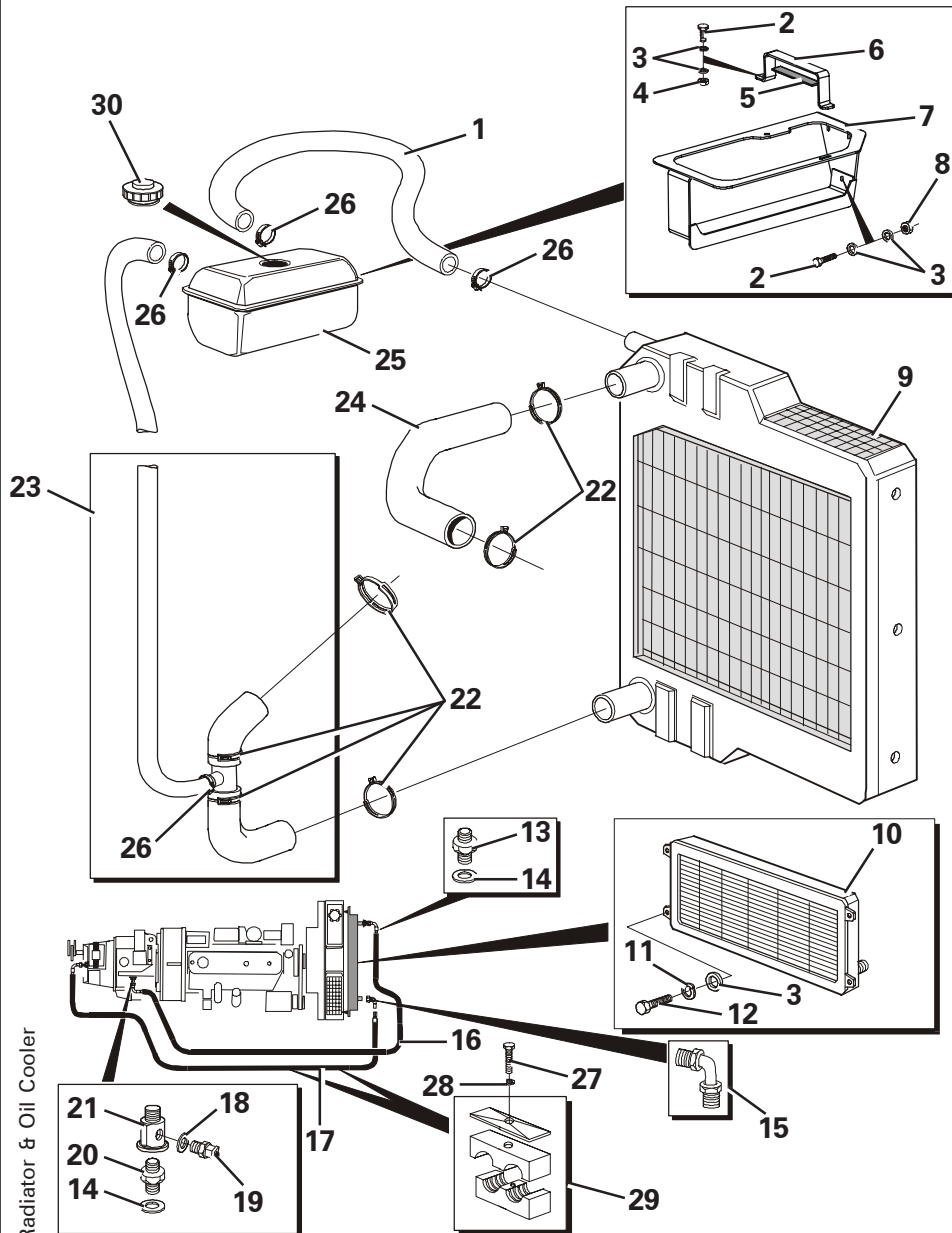
EXHAUST SYSTEM - NAT ASP

| Item | Part No. | Description | Qty | U/M |
|------|----------|-------------------------|------|-----|
| 1 | T52570 | STUD | 3.0 | EA |
| 2 | T52571 | NUT | 3.0 | EA |
| 3 | T52435 | EXHAUST GASKET | 1.0 | EA |
| 4 | T100238 | MANIFOLD PIPE (NAT-ASP) | 1.0 | EA |
| 5 | T100275 | EXHAUST FLEXIBLE PIPE | 1.0 | EA |
| 6 | T100056 | EXHAUST INLET PIPE | 1.0 | EA |
| 7 | T100010 | EXHAUST SILENCER | 1.0 | EA |
| 8 | T100057 | EXHAUST TAILPIPE | 1.0 | EA |
| 9 | T9345 | WASHER | 6.0 | EA |
| 10 | T100796 | RUBBER BUFFER | 3.0 | EA |
| 11 | T12973 | PLAIN WASHER | 11.0 | EA |
| 12 | T12972 | SPRING WASHER | 11.0 | EA |
| 13 | T9775 | NUT | 11.0 | EA |
| 14 | T15482 | EXHAUST CLAMP | 4.0 | EA |



Exhaust System

RADIATOR & OIL COOLER

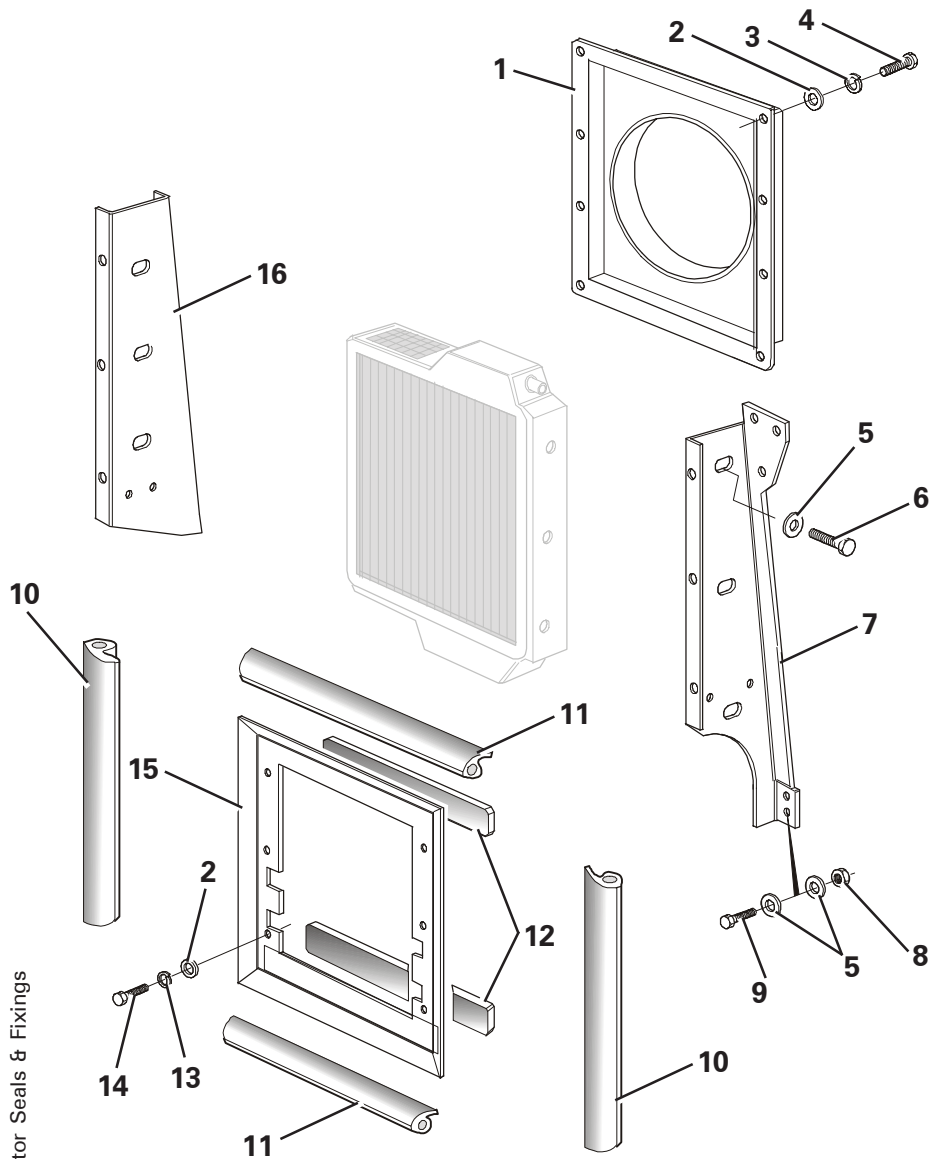


| Item | Part No. | Description | Qty | U/M |
|------|----------|----------------------------|------|-----|
| 1 | T52656 | HOSE - FILLER BOTTLE | 1.0 | EA |
| 2 | T16476 | SET BOLT | 4.0 | EA |
| 3 | T13911 | FLAT WASHER | 12.0 | EA |
| 4 | T10431 | NUT | 1.0 | EA |
| 5 | T52660 | SELF ADHESIVE STRIP | 1.0 | EA |
| 6 | T100568 | RAD PRESSURE BOTTLE STRAP | 1.0 | EA |
| 7 | T100551 | RAD BOTTLE MTG BRKT | 1.0 | EA |
| 8 | T16481 | NYLOC NUT | 3.0 | EA |
| 9 | T52657 | RADIATOR | 1.0 | EA |
| 10 | T52658 | OIL COOLER | 1.0 | EA |
| 11 | T14837 | SPRING WASHER | 4.0 | EA |
| 12 | T16477 | HEAD BOLT | 4.0 | EA |
| 13 | T17315 | ADAPTOR | 1.0 | EA |
| 14 | T5596 | HYDRAULIC SEAL | 2.0 | EA |
| 15 | T100539 | ELBOW | 1.0 | EA |
| 16 | T100204 | OIL COOLER HOSE-OUTLET | 1.0 | EA |
| 17 | T100205 | OIL COOLER HOSE-INLET | 1.0 | EA |
| 18 | T5637 | BONDED SEAL | 1.0 | EA |
| 19 | T50531 | TRANS.OIL TEMP.SWITCH | 1.0 | EA |
| 20 | T13791 | ADAPTOR | 1.0 | EA |
| 21 | T100381 | TEMPERATURE SENDER FITTING | 1.0 | EA |
| 22 | T100422 | SPRING BAND CLAMP | 6.0 | EA |
| 23 | T100218 | BOTTOM RADIATOR HOSE ASSY | 1.0 | EA |
| 24 | T100217 | TOP RADIATOR HOSE | 1.0 | EA |
| 25 | T100550 | PRESSURE FILLER BOTTLE | 1.0 | EA |
| 26 | T11401 | JUBILEE CLIP | 4.0 | EA |
| 27 | T17157 | BOLT | 2.0 | EA |
| 28 | T12973 | PLAIN WASHER | 2.0 | EA |
| 29 | T19115 | PIPE CLAMP | 2.0 | EA |
| 30 | T52703 | FILLER BOTTLE CAP | 1.0 | EA |

Radiator & Oil Cooler

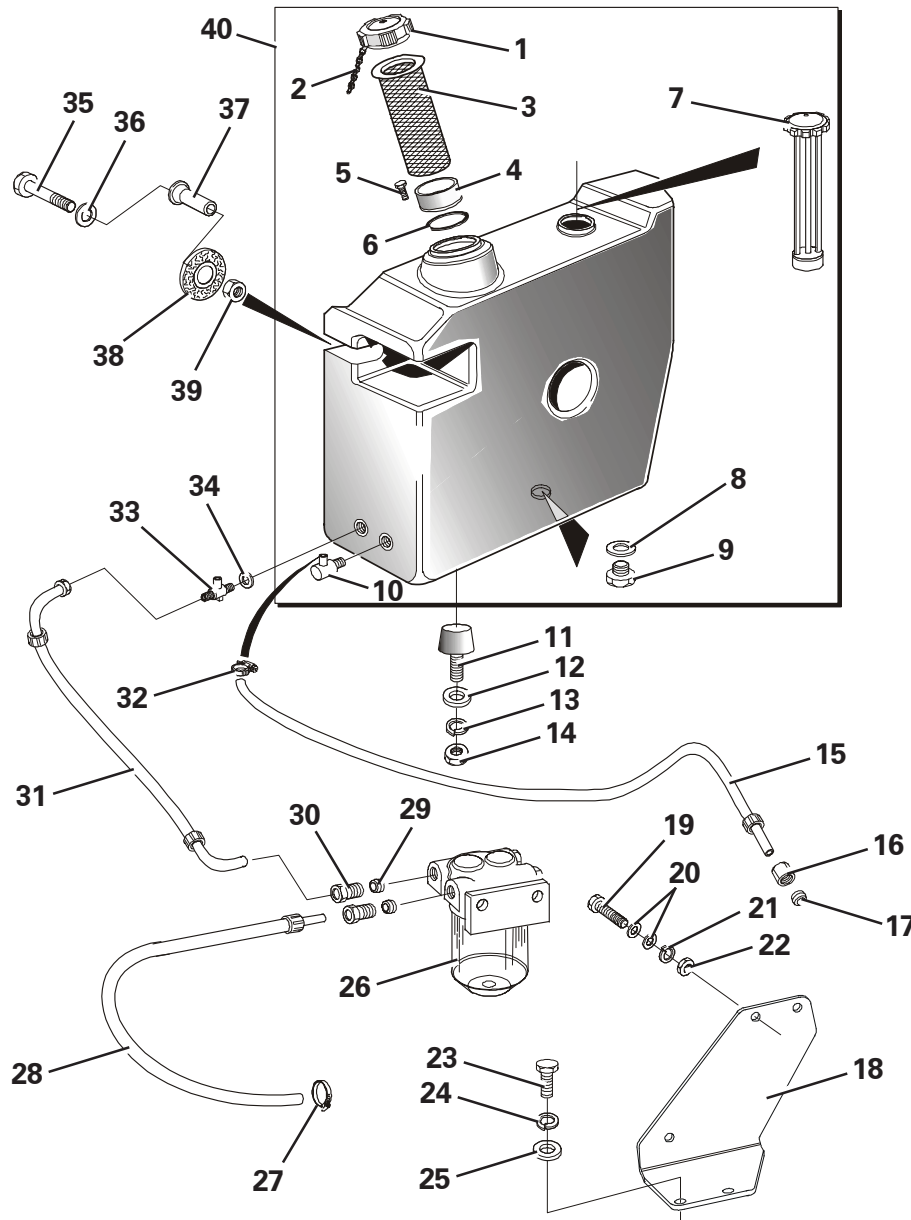
RADIATOR SEALS AND FIXINGS

| Item | Part No. | Description | Qty | U/M |
|------|----------|-----------------------|------|-----|
| 1 | T52659 | RADIATOR COWL | 1.0 | EA |
| 2 | T13911 | FLAT WASHER | 14.0 | EA |
| 3 | T14837 | SPRING WASHER | 8.0 | EA |
| 4 | T10917 | SET BOLT | 8.0 | EA |
| 5 | T17184 | HEAVY DUTY WASHER | 14.0 | EA |
| 6 | T7466 | SET SCREW | 6.0 | EA |
| 7 | T100150 | RAD MOUNTING BRKT R/H | 1.0 | EA |
| 8 | T13064 | NUT | 4.0 | EA |
| 9 | T16505 | SET BOLT | 4.0 | EA |
| 10 | T100535 | SEAL | 2.0 | EA |
| 11 | T100534 | SEAL | 2.0 | EA |
| 12 | T100668 | D SECTION SEAL | 2.0 | EA |
| 13 | T10418 | SHAKEPROOF WASHER | 6.0 | EA |
| 14 | T16477 | HEAD BOLT | 6.0 | EA |
| 15 | T100397 | RADIATOR COWL ASSY | 1.0 | EA |
| 16 | T100149 | RAD MOUNTING BRKT L/H | 1.0 | EA |



Radiator Seals & Fixings

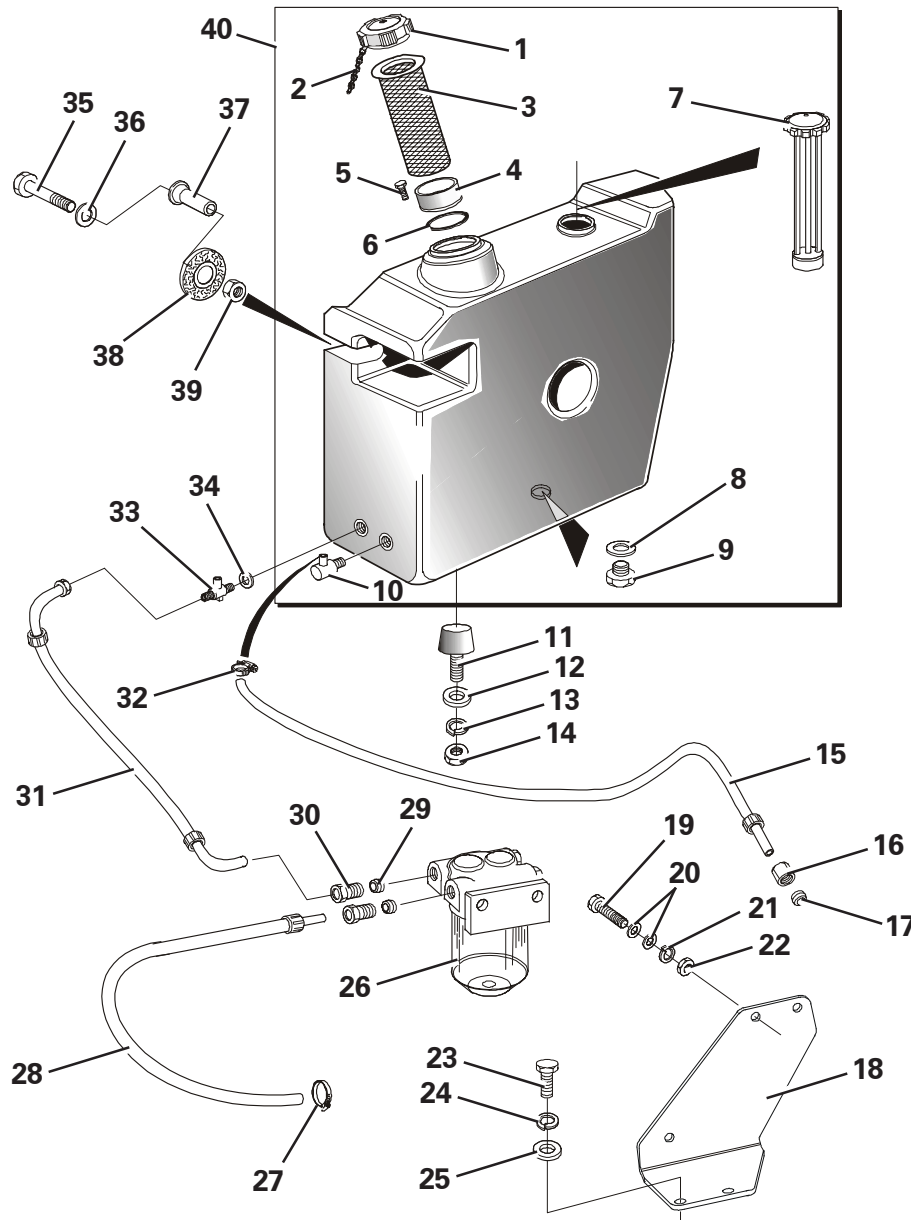
FUEL TANK ASSEMBLY



| Item | Part No. | Description | Qty | U/M |
|------|----------|----------------------|-----|-----|
| 1 | T52283 | FUEL FILTER CAP | 1.0 | EA |
| 2 | T52437 | FILLER CAP CHAIN | 1.0 | EA |
| 3 | T52284 | STRAINER | 1.0 | EA |
| 4 | T52543 | FILLER CAP COLLAR | 1.0 | EA |
| 5 | T52590 | SCREW | 4.0 | EA |
| 6 | T52589 | O RING | 1.0 | EA |
| 7 | T52281 | LEVEL GAUGE (FUEL) | 1.0 | EA |
| 8 | T52588 | FIBRE WASHER | 1.0 | EA |
| 9 | T52288 | DRAIN PLUG | 1.0 | EA |
| 10 | T52372 | FUEL RETURN ELBOW | 1.0 | EA |
| 11 | T100214 | RUBBER BUFFER (NBR) | 2.0 | EA |
| 12 | T9345 | WASHER PLATED | 2.0 | EA |
| 13 | T12972 | SPRING WASHER | 2.0 | EA |
| 14 | T9775 | NUT PLATED | 2.0 | EA |
| 15 | T100278 | LEAK OFF PIPE | 1.0 | EA |
| 16 | T52601 | NUT | 1.0 | EA |
| 17 | T52602 | OLIVE | 1.0 | EA |
| 18 | T100608 | FUEL SEDIMENTOR BRKT | 1.0 | EA |
| 19 | T16505 | HEX HD SET BOLT | 2.0 | EA |
| 20 | T15819 | PLAIN WASHER PLATED | 4.0 | EA |

Fuel Tank Assembly

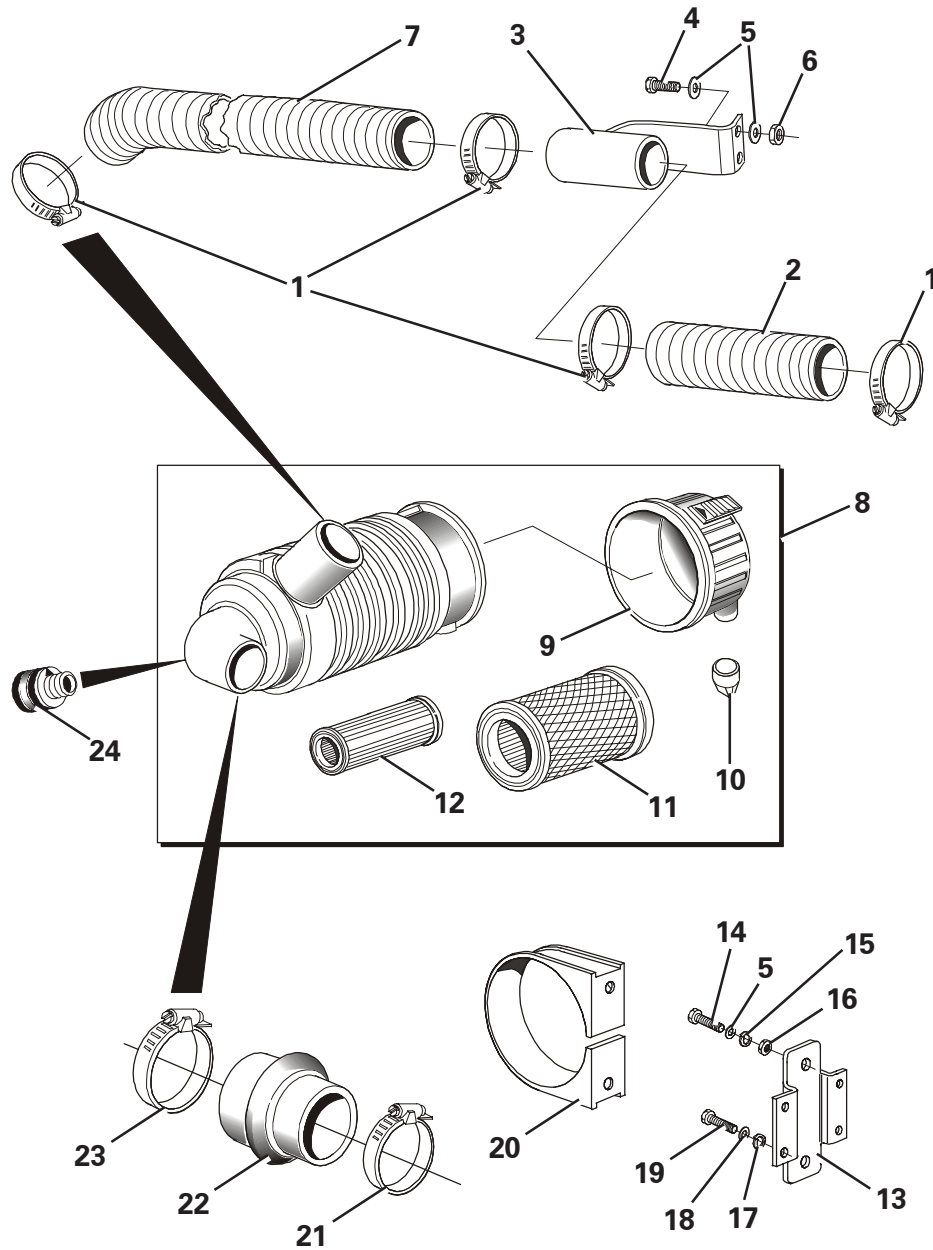
FUEL TANK ASSEMBLY



| Item | Part No. | Description | Qty | U/M |
|------|----------|-----------------------|-----|-----|
| 21 | T13362 | SPRING WASHER PLATED | 2.0 | EA |
| 22 | T12509 | NUT PLATED | 2.0 | EA |
| 23 | T14077 | BOLT | 2.0 | EA |
| 24 | T6758 | SPRING WASHER | 2.0 | EA |
| 25 | T14748 | PLAIN WASHER | 2.0 | EA |
| 26 | T15247 | SEDIMENTOR | 1.0 | EA |
| 27 | T100421 | SPRING BAND CLAMP | 1.0 | EA |
| 28 | T100277 | FUEL HOSE (BOWL/ENG) | 1.0 | EA |
| 29 | T14692 | TUBE OLIVE | 2.0 | EA |
| 30 | T13827 | TUBE NUT | 2.0 | EA |
| 31 | T100276 | FUEL HOSE (TANK/BOWL) | 1.0 | EA |
| 32 | T100691 | HOSE CLIP | 1.0 | EA |
| 33 | T5694 | FUEL TAP | 1.0 | EA |
| 34 | T5695 | FIBRE WASHER FUEL TAP | 1.0 | EA |
| 35 | T52092 | BOLT HEX.HEAD | 2.0 | EA |
| 36 | T10734 | H/DUTY WASHER PLATED | 2.0 | EA |
| 37 | T100372 | TANK SPACER | 2.0 | EA |
| 38 | T100323 | RUBBER BACKED WASHER | 2.0 | EA |
| 39 | T13064 | NUT | 2.0 | EA |
| 40 | T100011 | DIESEL TANK ASSY 70L | 1.0 | EA |

Fuel Tank Assembly

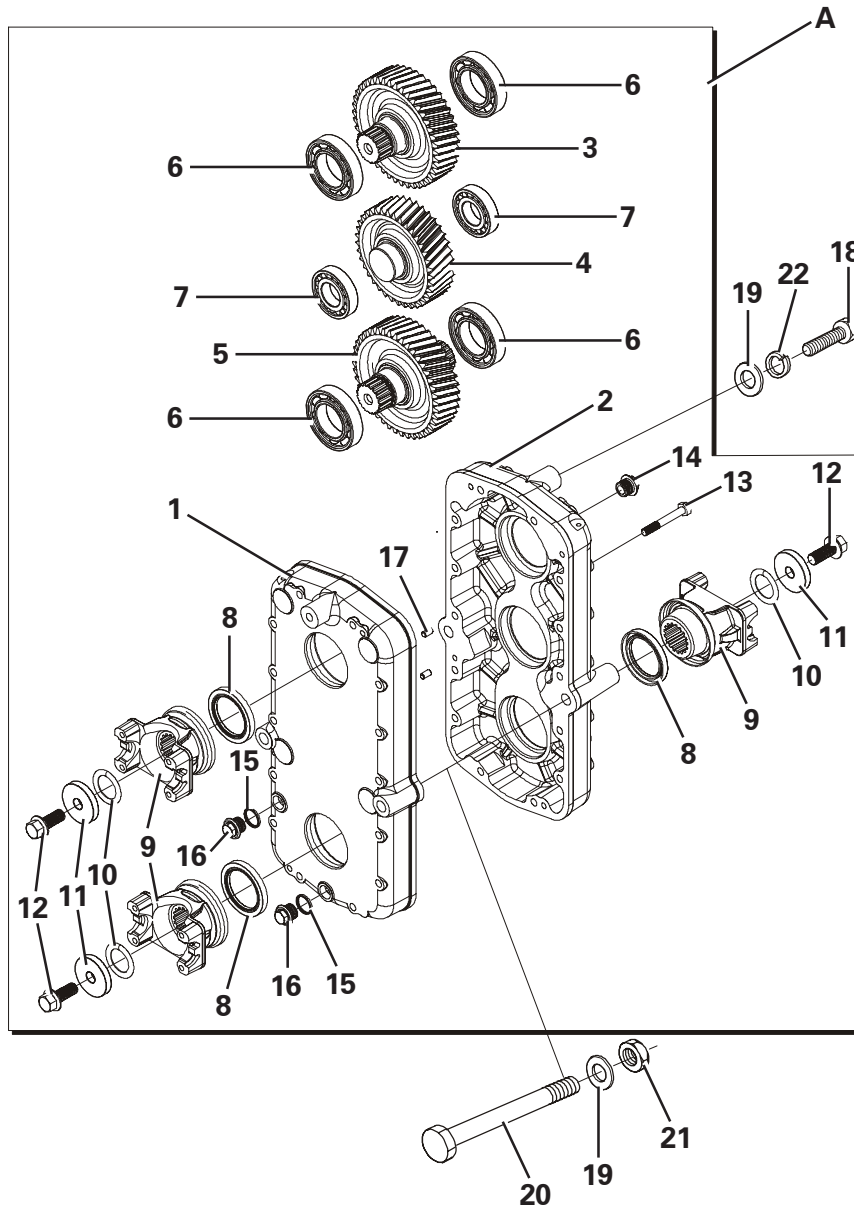
AIR CLEANER ASSEMBLY - NAT ASP



| Item | Part No. | Description | Qty | U/M |
|------|----------|-------------------------|-----|-----|
| 1 | T10895 | JUBILEE CLIP | 4.0 | EA |
| 2 | T100481 | INLET HOSE | 1.0 | EA |
| 3 | T100474 | AIR TUBE SUPPORT | 1.0 | EA |
| 4 | T14152 | BOLT | 2.0 | EA |
| 5 | T12973 | PLAIN WASHER PLATED | 6.0 | EA |
| 6 | T13457 | NYLOC NUT | 2.0 | EA |
| 7 | T100283 | INLET HOSE | 1.0 | EA |
| 8 | T100007 | AIR CLEANER 8 TWISTLOCK | 1.0 | EA |
| 9 | T52558 | DUST BOWL | 1.0 | EA |
| 10 | T52559 | VAC VALVE | 1.0 | EA |
| 11 | T52556 | OUTER AIR ELEMENT | 1.0 | EA |
| 12 | T52557 | INNER AIR ELEMENT | 1.0 | EA |
| 13 | T100152 | AIR CLEANER BRACKET | 1.0 | EA |
| 14 | T14277 | BOLT | 2.0 | EA |
| 15 | T12972 | SPRING WASHER | 2.0 | EA |
| 16 | T9775 | NUT PLATED | 2.0 | EA |
| 17 | T13362 | SPRING WASHER | 4.0 | EA |
| 18 | T17184 | HEAVY DUTY WASHER | 4.0 | EA |
| 19 | T16770 | CAP HEAD SCREW | 4.0 | EA |
| 20 | T100008 | BRACKET AIR CLEANER | 1.0 | EA |
| 21 | T52555 | T BOLT CLAMP | 1.0 | EA |
| 22 | T100009 | HOSE A/C TO ENG NAT/ASP | 1.0 | EA |
| 23 | T52554 | T BOLT CLAMP | 1.0 | EA |
| 24 | T100282 | RESTRICTION INDICATOR | 1.0 | EA |

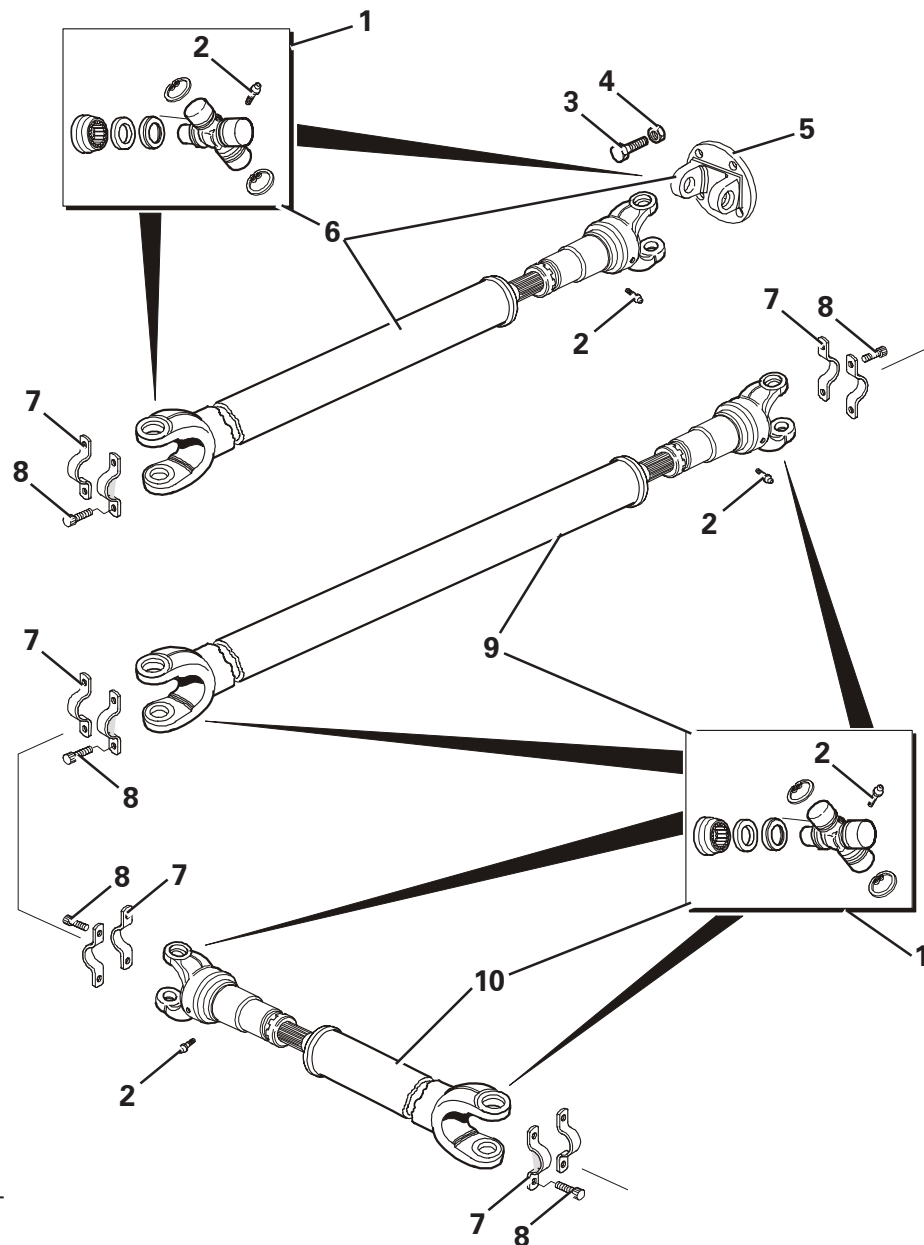
Air Cleaner Assembly N/Asp

TRANSFER BOX ASSEMBLY



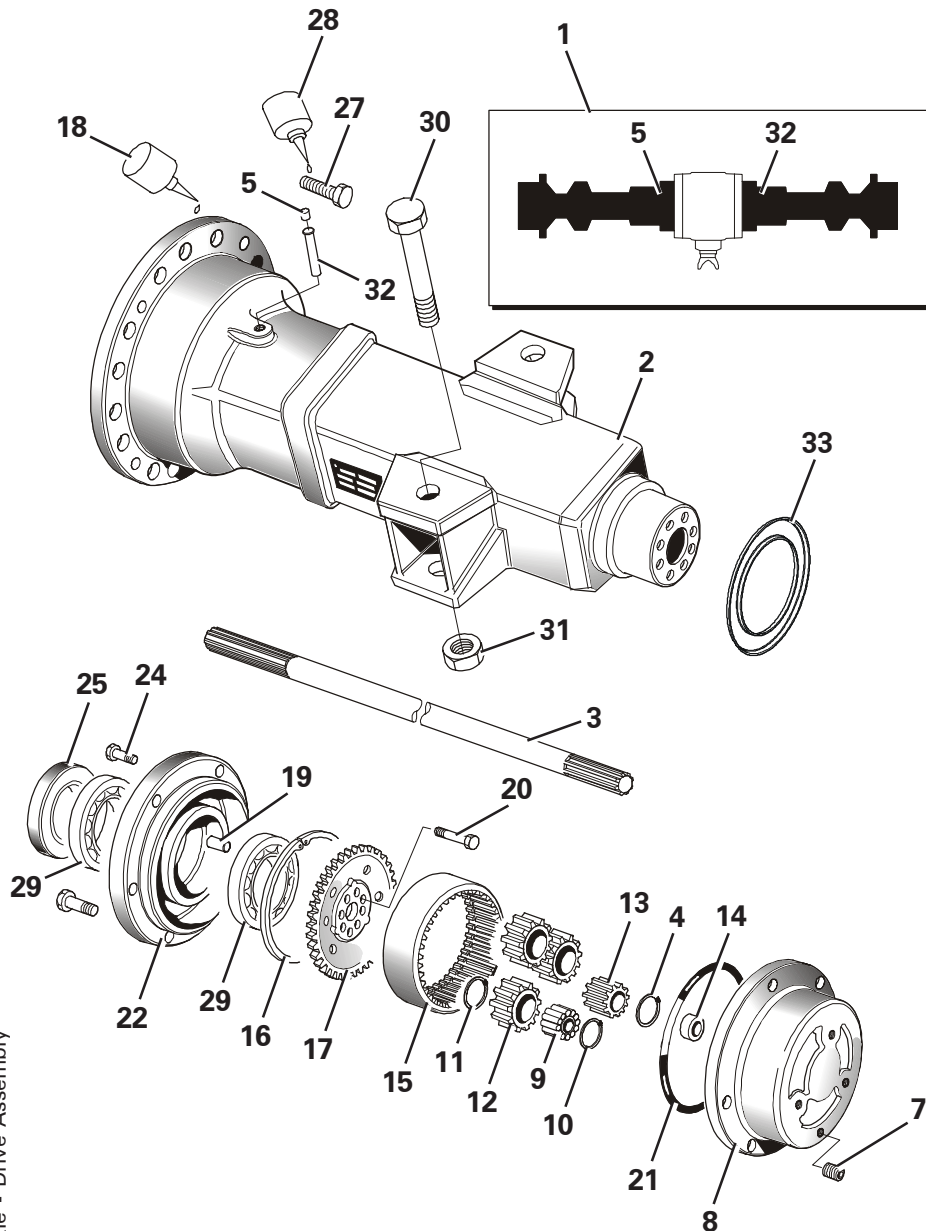
| Item | Part No. | Description | Qty | U/M |
|------|----------|------------------------|------|-----|
| A* | T100679 | TRANSFER CASE ASSEMBLY | 1.0 | EA |
| 1 | T52607 | GEARCASE HALF | 1.0 | EA |
| 2 | T52609 | GEARCASE HALF | 1.0 | EA |
| 3 | T52604 | INPUT GEAR | 1.0 | EA |
| 4 | T52612 | IDLER GEAR | 1.0 | EA |
| 5 | T52613 | OUTPUT GEAR | 1.0 | EA |
| 6 | T52606 | BALL BEARING | 4.0 | EA |
| 7 | T2642 | ROLLER BEARING | 2.0 | EA |
| 8 | T52614 | OUTPUT SEAL | 3.0 | EA |
| 9 | T52616 | YOKE ASSY | 3.0 | EA |
| 10 | T52608 | O RING | 3.0 | EA |
| 11 | T52605 | WASHER | 3.0 | EA |
| 12 | T52615 | BOLT - DURLOCK | 3.0 | EA |
| 13 | T52611 | BOLT | 14.0 | EA |
| 14 | T52610 | BREATHER | 1.0 | EA |
| 15 | T50423 | BOND SEAL | 2.0 | EA |
| 16 | T4248 | PLUG | 2.0 | EA |
| 17 | T2731 | DOWEL | 2.0 | EA |
| 18* | T11316 | BOLT | 1.0 | EA |
| 19* | T100867 | PLAIN WASHER | 3.0 | EA |
| 20* | T100817 | BOLT | 2.0 | EA |
| 21 | T14910 | STOVER NUT | 2.0 | EA |
| 22 | T100387 | SPRING WASHER | 1.0 | EA |

PROPSHAFTS



| Item | Part No. | Description | Qty | U/M |
|------|----------|------------------------|------|-----|
| 1 | T50475 | U/J KIT | 6.0 | EA |
| 2 | T13454 | STRAIGHT GREASE NIPPLE | 9.0 | EA |
| 3 | T11313 | PROPSHAFT BOLT | 4.0 | EA |
| 4 | T11345 | PHILIDAS NUT | 4.0 | EA |
| 5 | T50476 | FLANGE | 1.0 | EA |
| 6 | T100004 | PROPSHAFT TOP | 1.0 | EA |
| 7 | T14130 | JOINT STRAP | 10.0 | EA |
| 8 | T14131 | CLAMP BOLT | 20.0 | EA |
| 9 | T100005 | PROPSHAFT REAR | 1.0 | EA |
| 10 | T17485 | PROPSHAFT FRONT | 1.0 | EA |

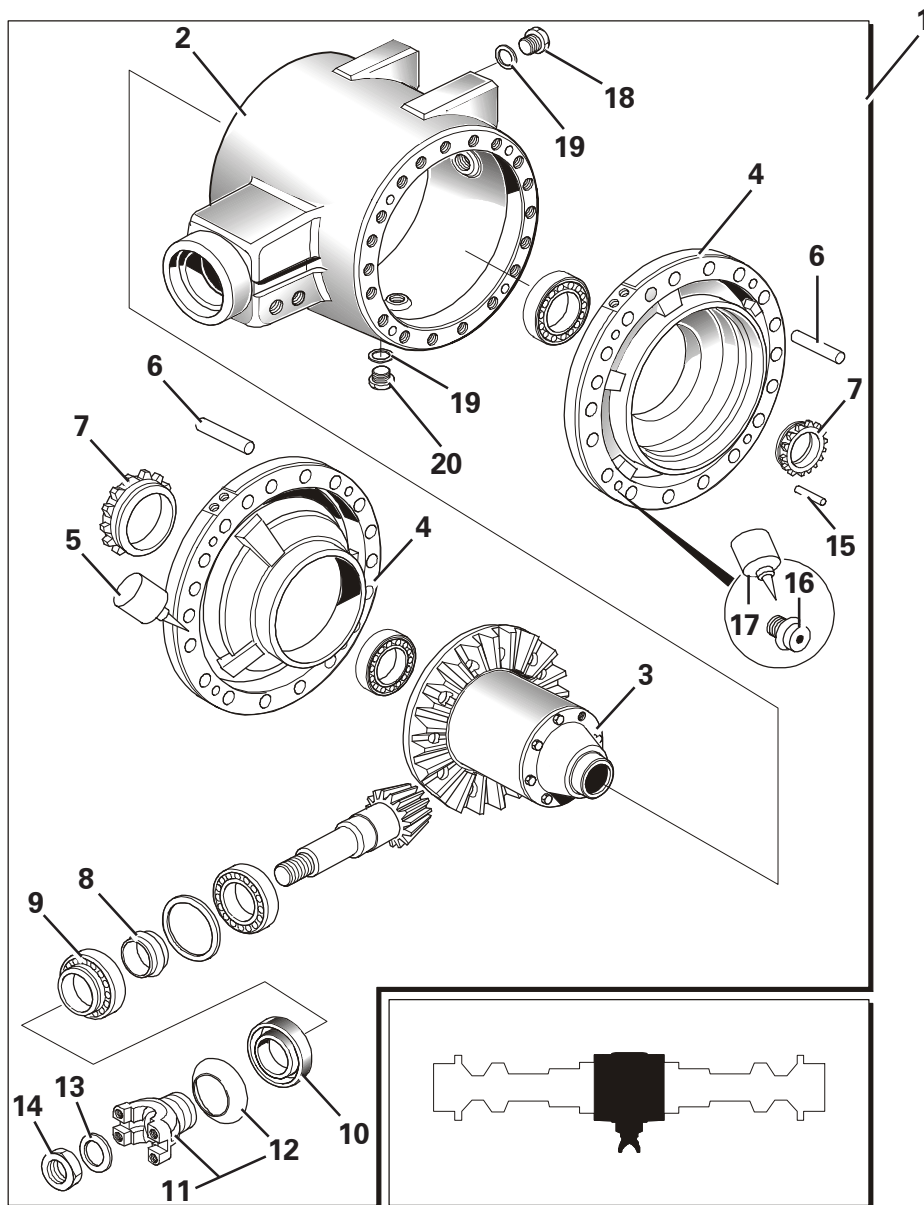
AXLE - DRIVE ASSEMBLY



| Item | Part No. | Description | Qty | U/M |
|------|----------|-----------------------|------|-----|
| 1 | T14123 | AXLE | 1.0 | EA |
| 2 | T1924 | AXLE ARM CASING | 2.0 | EA |
| 3 | T51852 | SHAFT | 2.0 | EA |
| 4 | T51851 | CIRCLIP | 2.0 | EA |
| 5 | T50737 | BREATHER PLUG | 1.0 | EA |
| 7 | T2305 | PLUG | 2.0 | EA |
| 8 | T50380 | CARRIER PLANETARY HUB | 2.0 | EA |
| 9 | T2299 | BEARING DOUBLE ROLLER | 6.0 | EA |
| 10 | T2300 | CIRCLIP 'L' SHAPED | 12.0 | EA |
| 11 | T2297 | CIRCLIP | 6.0 | EA |
| 12 | T2298 | PLANET GEAR | 6.0 | EA |
| 13 | T50387 | SUN GEAR | 2.0 | EA |
| 14 | T2303 | THRUST PAD | 2.0 | EA |
| 15 | T2296 | GEAR ANNULUS RING | 2.0 | EA |
| 16 | T2292 | CIRCLIP EXTERNAL | 2.0 | EA |
| 17 | T1926 | CARRIER | 2.0 | EA |
| 18 | T2267 | SEALANT | A/R | EA |
| 19 | T1925 | HOLLOW DOWEL | 16.0 | EA |
| 20 | T1923 | BOLT | 16.0 | EA |
| 21 | T51882 | SEALANT | 2.0 | EA |
| 22 | T52254 | HUB | 2.0 | EA |
| 24 | T50519 | SET SCREW | 4.0 | EA |
| 25 | T50661 | SEAL | 2.0 | EA |
| 27 | T50520 | BOLT | 32.0 | EA |
| 28 | T2267 | SEALANT | A/R | EA |
| 29 | T2291 | TAPER BEARING | 4.0 | EA |
| 30 | T14133 | BOLT | 4.0 | EA |
| 31 | T10331 | LOCKNUT | 4.0 | EA |
| 32 | T2279 | BREATHER | 1.0 | EA |
| 33* | T53036 | COVER PLATE HUB | 2.0 | EA |

Axle - Drive Assembly

AXLE - DIFFERENTIAL ASSEMBLY

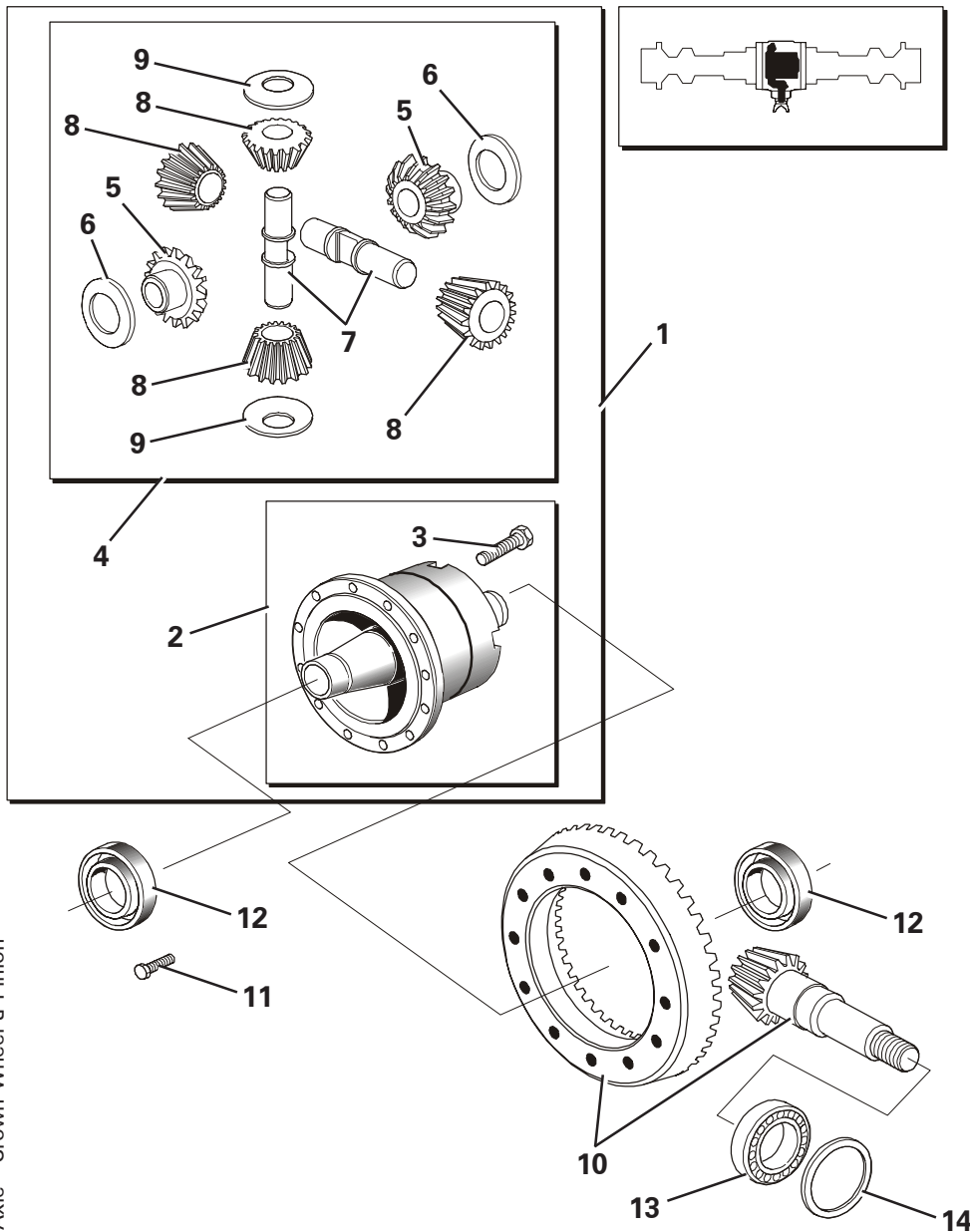


| Item | Part No. | Description | Qty | U/M |
|------|-----------|-----------------------------|-----|-----|
| 1 | T52618 | DIFFERENTIAL ASSEMBLY | 1.0 | EA |
| 2 | T51988 | DRIVE HEAD CASING | 1.0 | EA |
| 3 | Refer to: | Axle - Crown Wheel & Pinion | | |
| 4 | T52511 | HOUSING | 2.0 | EA |
| 5 | T2267 | SEALANT | A/R | EA |
| 6 | T2266 | DOWEL | 4.0 | EA |
| 7 | T2261 | NUT (SIDE DIFF) | 2.0 | EA |
| 8 | T2577 | SPACER-COLLAPSEABLE | 1.0 | EA |
| 9 | T3519 | BEARING | 1.0 | EA |
| 10 | T50398 | TRIPLE LIP SEAL | 1.0 | EA |
| 11 | T50399 | YOKE FLANGE COUPLING | 1.0 | EA |
| 12 | | Non Serviced Part | | |
| 13 | | Supplied with Item 14 | | |
| 14 | T51880 | NUT | 1.0 | EA |
| 15 | T50396 | TENSION PIN | 2.0 | EA |
| 16 | T50518 | BOLT | 8.0 | EA |
| 17 | T2286 | LOCKING FLUID | A/R | EA |
| 18 | T2277 | FILLER PLUG | 1.0 | EA |
| 19 | T2278 | WASHER | 1.0 | EA |
| 20 | T2243 | DRAIN PLUG | 1.0 | EA |

Axle - Differential Assembly

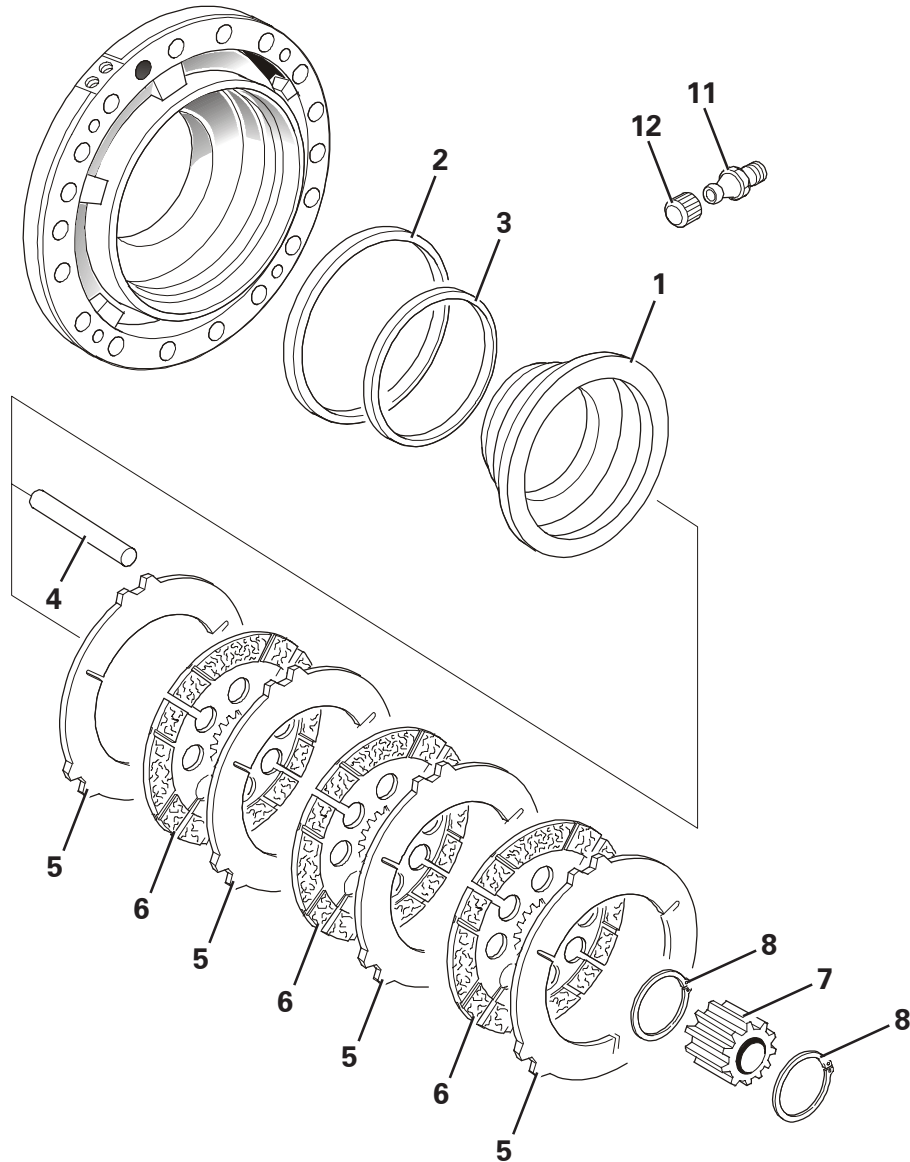
AXLE - CROWN WHEEL & PINION

| Item | Part No. | Description | Qty | U/M |
|------|----------|------------------------|------|-----|
| 1 | T2239 | G A DIFFERENTIAL | 1.0 | EA |
| 2 | T2257 | DIFFERENTIAL CASE | 1.0 | EA |
| 3 | T2255 | BOLT | 8.0 | EA |
| 4 | T51881 | GEAR PIN & WASHER SET | 1.0 | EA |
| 5 | | Non Serviced Part | | |
| 6 | T2242 | THRUST WASHER (SIDE) | 2.0 | EA |
| 7 | T2240 | TRUNNION PIN | 2.0 | EA |
| 8 | | Non Serviced Part | | |
| 9 | T2241 | THRUST WASHER (PINION) | 4.0 | EA |
| 10 | T52444 | CROWN/PINION | 1.0 | EA |
| 11 | T2256 | BOLT | 12.0 | EA |
| 12 | T3070 | HUB INNER BEARING | 2.0 | EA |
| 13 | T2253 | BEARING TAPER | 1.0 | EA |
| 14 | T2252 | SHIM KIT | 1.0 | EA |



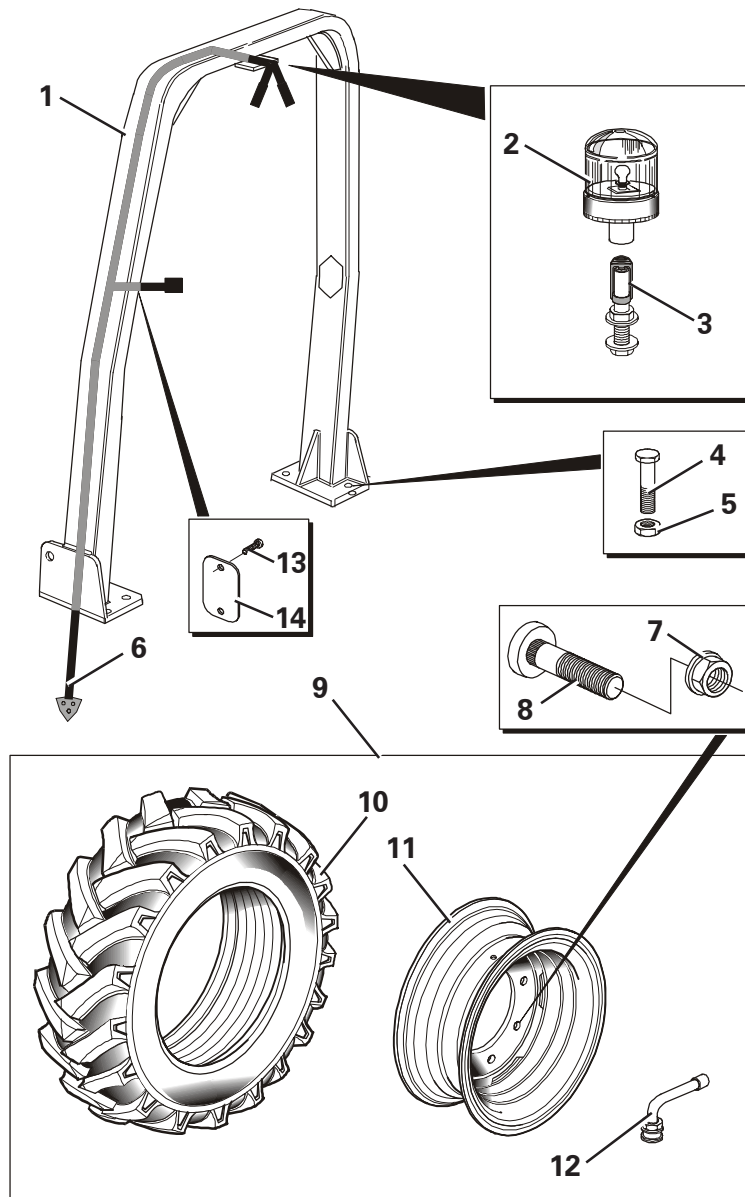
Axle - Crown Wheel & Pinion

AXLE - BRAKES



| Item | Part No. | Description | Qty | U/M |
|------|----------|---------------------|-----|-----|
| 1 | T52512 | PISTON | 2.0 | EA |
| 2 | T2269 | SEAL (BRAKE PISTON) | 2.0 | EA |
| 3 | T50384 | PISTON SEAL | 2.0 | EA |
| 4 | T2272 | REACTION PIN | 6.0 | EA |
| 5* | T53101 | COUNTER PLATE | 8.0 | EA |
| 6* | T53100 | FRICTION PLATE | 6.0 | EA |
| 7 | T2275 | PLATE CARRIER | 2.0 | EA |
| 8 | T2276 | CIRCLIP EXTERNAL | 4.0 | EA |
| 11 | T2263 | BLEED NIPPLE | 2.0 | EA |
| 12 | T2262 | CAP (BLEED NIPPLE) | 2.0 | EA |

ROPS FRAME & WHEEL ASSEMBLY



| Item | Part No. | Description | Qty | U/M |
|------|----------|------------------|------|-----|
| 1 | T100025 | ROPS FRAME | 1.0 | EA |
| 2 | T100133 | ROTATING BEACON | 1.0 | EA |
| 3 | T100134 | BEACON STEM | 1.0 | EA |
| 4 | T15571 | BOLT | 8.0 | EA |
| 5 | T14910 | STOVER NUT | 8.0 | EA |
| 6 | T100051 | HARNESS | 1.0 | EA |
| 7 | T14132 | WHEEL NUT | 20.0 | EA |
| 8 | T2288 | WHEEL STUD | 20.0 | EA |
| 9 | T17151 | WHEEL ASSY | 4.0 | EA |
| 10 | T6885 | TYRE | 1.0 | EA |
| 11 | T17150 | WHEEL RIM | 1.0 | EA |
| 12 | T52655 | HEAVY DUTY VALVE | 1.0 | EA |
| 13 | T7474 | SELF TAPPER | 2.0 | EA |
| 14 | T100804 | COVER PLATE | 1.0 | EA |

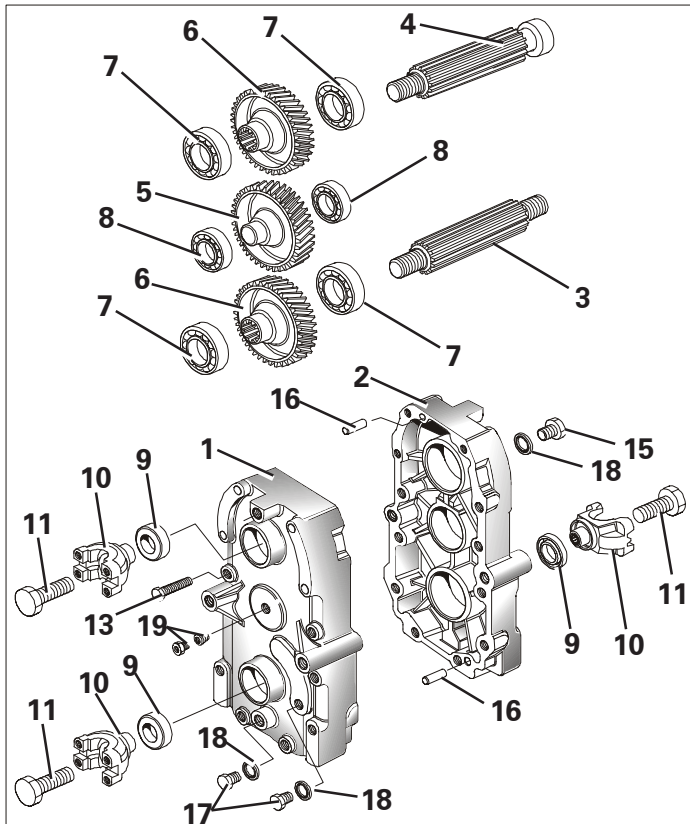
ROPS Frame & Wheel Assembly - Tubeless

OPTIONAL EXTRAS

| Part No. | Description | Qty | U/M |
|----------|--|-----|-----|
| KIT 241 | ACCESSORIES - ROTATING BEACON KIT | 1.0 | EA |
| T100307 | ROTATING FLEXIBLE BEACON | 1.0 | EA |
| T100308 | XENON BEACON | 1.0 | EA |
| KIT 232 | ACCESSORIES - POWERSHUTTLE REVERSE ALARM | 1.0 | EA |
| KIT 242 | ACCESSORIES - ELECTRONIC SHUTDOWN | 1.0 | EA |
| T100135 | WORK LIGHT | 1.0 | EA |
| T18236 | LOW BRAKE FLUID WARNING CAP | 1.0 | EA |
| KIT 245 | ACCESSORIES - LIGHT KIT FORWARD TIP (UK) | 1.0 | EA |
| KIT 246 | ACCESSORIES - LIGHT KIT FORWARD TIP (CONT) | 1.0 | EA |
| KIT 238 | ACCESSORIES - HINGED ROPS FRAME KIT | 1.0 | EA |
| KIT 239 | ACCESSORIES - TIPPING VALVE LOCK | 1.0 | EA |
| KIT 240 | ACCESSORIES - ADJUSTABLE TOWING BRACKET | 1.0 | EA |
| KIT 85 | ACCESSORIES - ROAD EQUIPMENT KIT | 1.0 | EA |
| KIT 243 | TRANSFER SET - 5 TONNE | 1.0 | EA |

MODIFIED AND ADDITIONAL PARTS

| Old Part No. | Qty | Description | Page | Item | Prefix | New Part No. |
|--------------|-----|-----------------------------|------|------|--------|--------------|
| T17483 | 1.0 | TRANSFER CASE ASSEMBLY | 40 | A | 2 | T100679 |
| T11315 | 1.0 | BOLT | 40 | 18 | 2 | T11316 |
| T17488 | 2.0 | BOLT | 40 | 20 | 2 | T100817 |
| ADDED | 2.0 | WASHER | 40 | 19 | 2 | T100867 |
| T19115 | 1.0 | PIPE CLAMP | 14 | 11 | - | T101042 |
| ADDED | 1.0 | RETROFIT HOURMETER FIX LOOM | 14 | 14 | - | T101059 |



TRANSFER BOX ASSEMBLY - T17483

| Item | Part No. | Description | Qty | U/M |
|------|----------|----------------------|------|-----|
| 1 | T51940 | CASE (FRONT) | 1.0 | EA |
| 2 | T51941 | CASE (REAR) | 1.0 | EA |
| 3 | T52442 | OUTPUT SHAFT | 1.0 | EA |
| 4 | T52443 | INPUT SHAFT | 1.0 | EA |
| 5 | T50527 | IDLER GEAR 49T | 1.0 | EA |
| 6 | T50470 | GEAR 47T | 2.0 | EA |
| 7 | T50471 | BEARING | 4.0 | EA |
| 8 | T50526 | BEARING TAPER ROLLER | 2.0 | EA |
| 9 | T50398 | TRIPLE LIP SEAL | 3.0 | EA |
| 10 | T50399 | YOKE FLANGE COUPLING | 3.0 | EA |
| 11 | T52168 | BOLT | 3.0 | EA |
| 13 | T52092 | BOLT HEX.HEAD | 12.0 | EA |
| 15 | T50473 | PLUG - BREATHER | 1.0 | EA |
| 16 | T50339 | DOWEL | 2.0 | EA |
| 17 | T1948 | PLUG | 2.0 | EA |
| 18 | T2613 | SEAL | 3.0 | EA |
| 19 | T50343 | PLUG | 1.0 | EA |

MODIFIED AND ADDITIONAL PARTS TO AXLES - T14123

| Old Part No. | Qty | Description | Page | Item | Serial No. | New Part No. |
|--------------|-----|-----------------|------|------|------------|--------------|
| ADDED | 2.0 | COVER PLATE HUB | 42 | 33 | - | T53036 |
| T51843 | 8.0 | COUNTER PLATE | 45 | 5 | - | T53101 |
| T51844 | 6.0 | FRICION PLATE | 45 | 6 | - | T53100 |

MODIFIED AND ADDITIONAL PARTS

| Old Part No. | Qty | Description | Page | Item | Prefix | New Part No. |
|--------------|-----|-------------|------|------|--------|--------------|
|--------------|-----|-------------|------|------|--------|--------------|

Service and Warranty

Thwaites give a warranty which, subject to certain conditions, gives an assurance as to the quality of their product.

The Thwaites warranty states:-

In the manufacture of Thwaites machines we endeavour to ensure that only the best workmanship and materials are used. Consequently, provided:-

1. The machine has been properly used in accordance with our recommendations and,
2. That no alterations have been made to the machine without prior written approval and,
3. That the machine has been maintained, serviced and lubricated in accordance with our recommendations and,
4. That Thwaites Warranty Certificate and/or New Machine Delivery Report has been completed and received by Thwaites within one month of delivery to the user.
5. That Thwaites receive a correctly completed Warranty Claim form within thirty days of the failure occurring.
6. **UK**
That the alleged defective parts are returned to Thwaites within 6 weeks of date of failure.
7. **All other territories**
That unless otherwise instructed the alleged defective parts are to be stored for inspection for a 6 month period from date of failure.

We will examine the alleged defective part and if we are reasonably satisfied that any defect is solely due to bad workmanship or materials, we will at our cost and at our option either repair any defective part or supply a replacement part in full discharge of all obligations upon us.

This warranty does not, however, extend to reconditioned or second-hand machines. For the avoidance of doubt, we will not entertain any other claims of a direct or consequential nature of whatsoever description and our responsibility is limited to the above.

The above warranty shall in no way detract from your statutory rights

Warranty

It is important to use only genuine Thwaites Limited spare parts and to adhere strictly to the conditions of operation and maintenance laid down by Thwaites Limited.

Your warranty may be invalidated if you do not comply with the above recommendations.